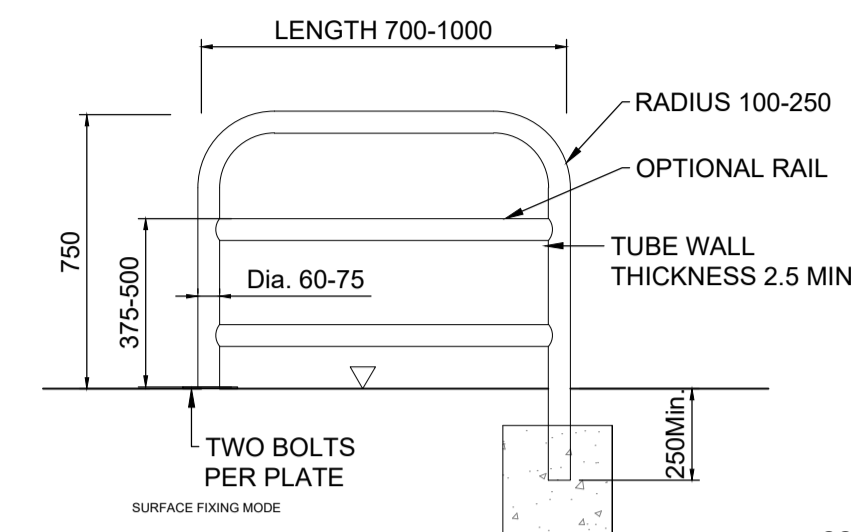
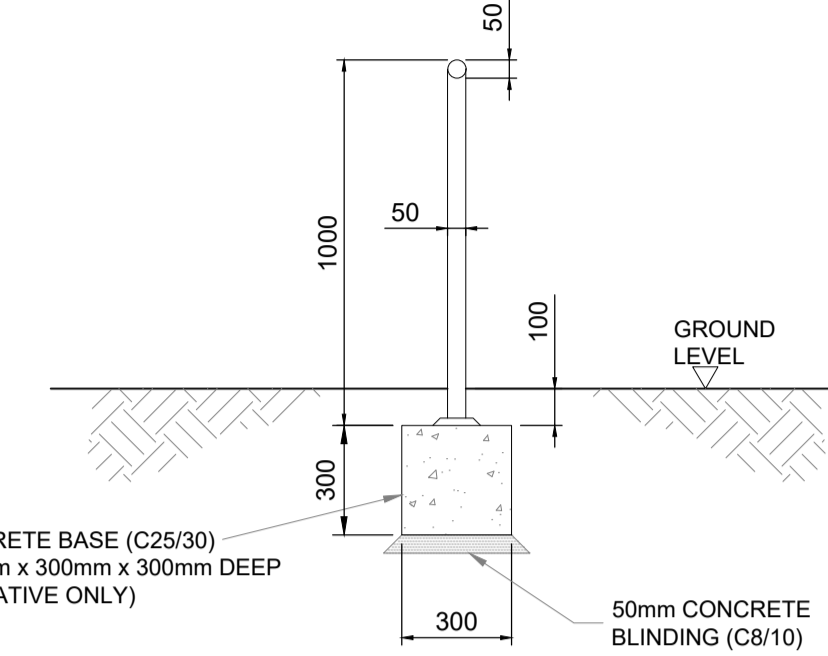


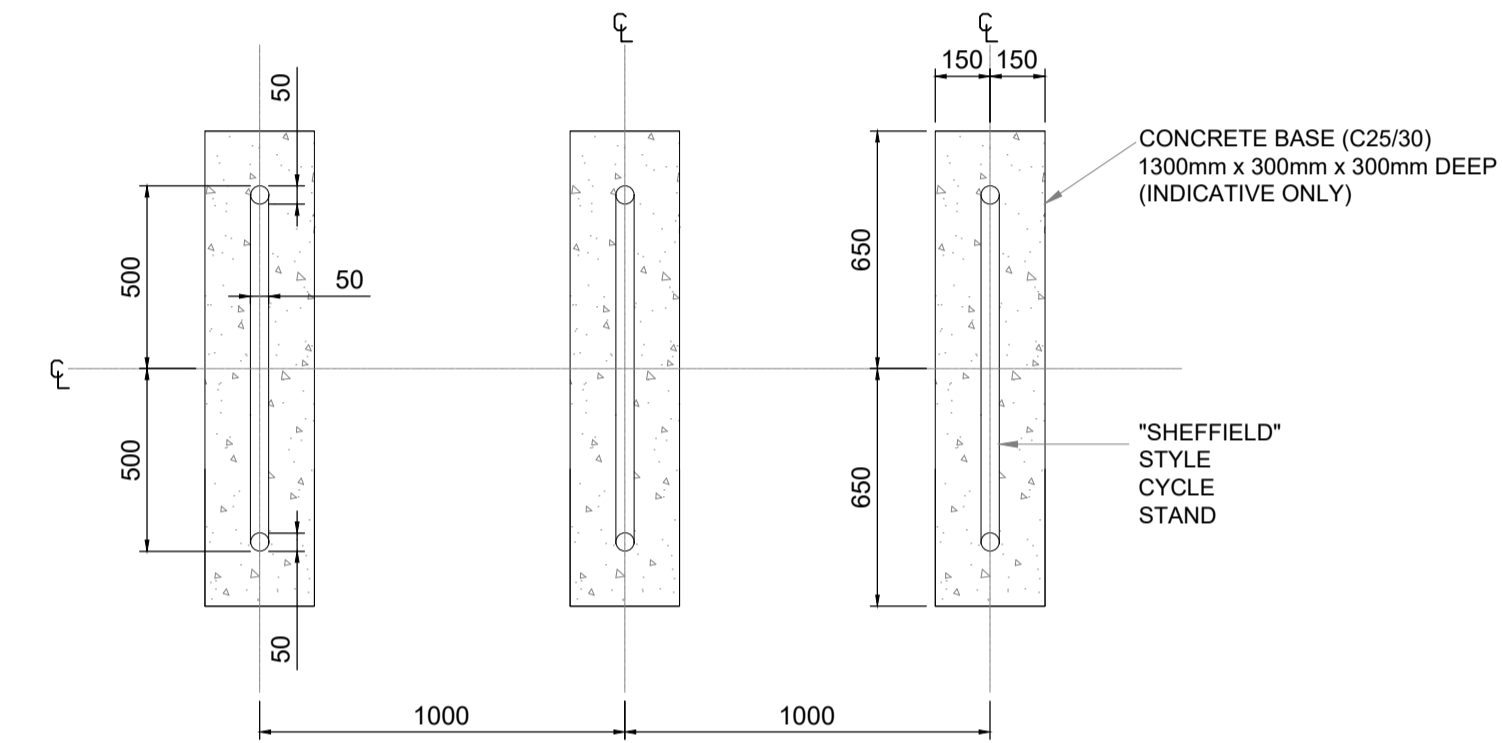
**PLAN**  
Scale 1:20



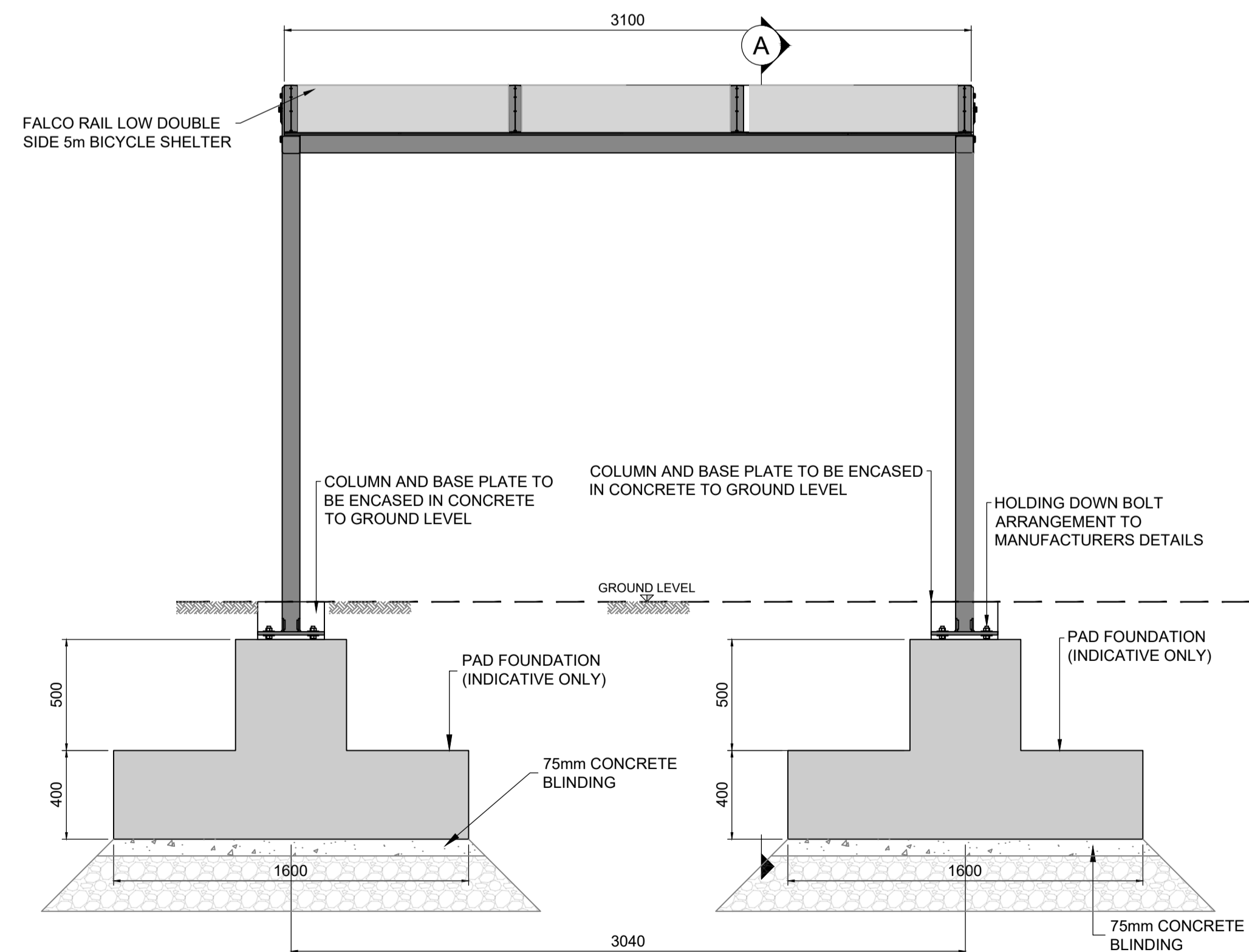
**SHEFFIELD CYCLE STAND DETAILS**  
Scale 1:20



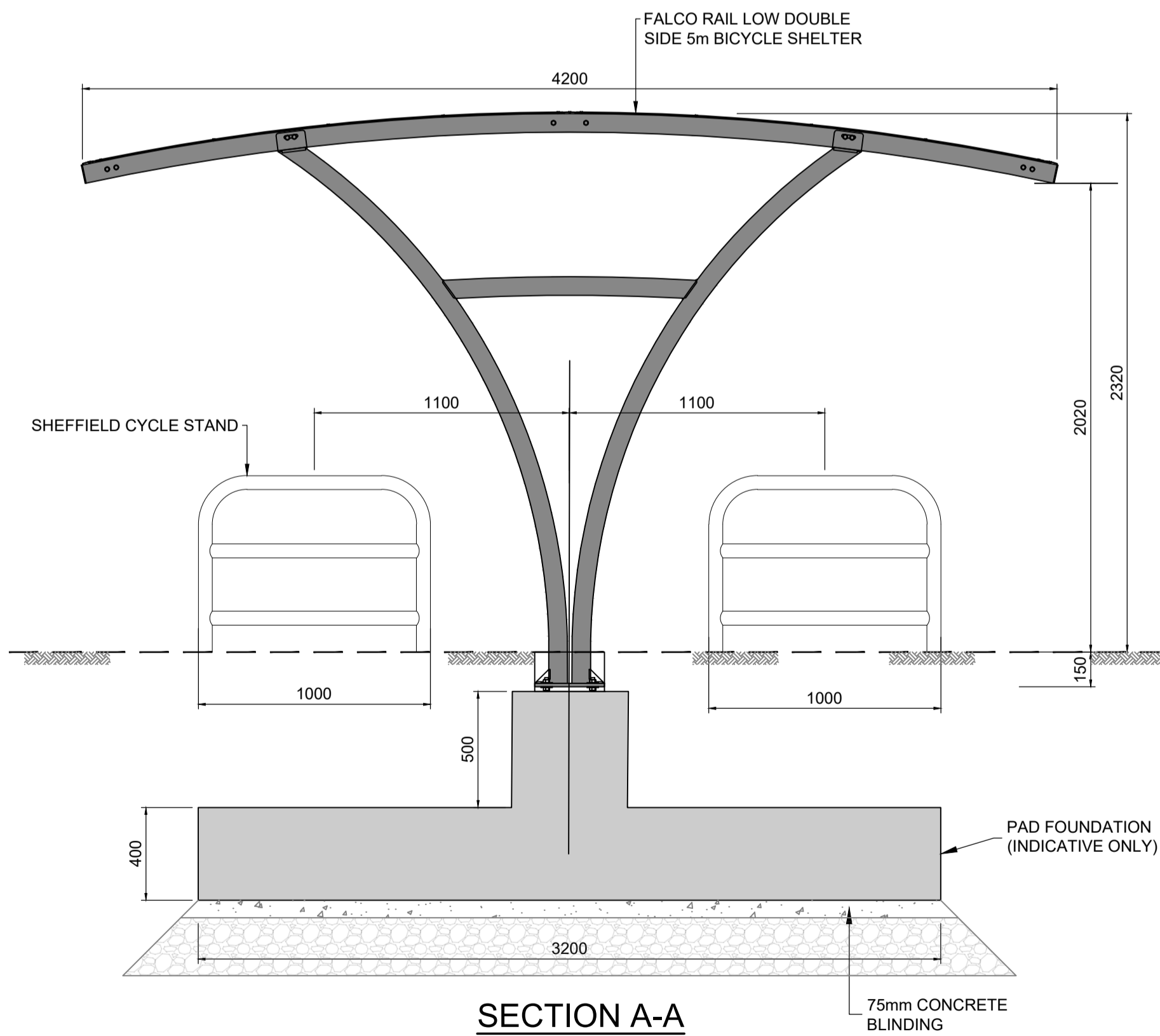
**SIDE ELEVATION OF CYCLE STAND**  
SCALE : 1:20



**TYPICAL PLAN ON CYCLE STANDS**  
SCALE : 1:20



**ELEVATION**  
Scale 1:20



**SECTION A-A**  
Scale 1:20



P01	30.11.23	ISSUE FOR PLANNING	CRH	MK
REV	DATE	DESCRIPTION	BY	APP

**Comhairle Contae Thiobraid Árann**  
Tipperary County Council

**Riailtas na hÉireann**  
Government of Ireland

**Tionscadal Éireann**  
Project Ireland 2040

**MWP**  
ENGINEERING AND ENVIRONMENTAL CONSULTANTS  
CORK | TRALEE | LONDON | LIMERICK

**Nicholas de Jong Associates**  
URBAN DESIGN

PROJECT:  
**STABLE LANE CARPARK**

TITLE:  
**PROPOSED BIKE SHELTER**

DRAWN:	CHECKED:	APPROVED:
CRH	MK	POD
PROJECT NUMBER:	DATE:	SCALE @ A1:
23920	NOV 2023	1:20
STATUS DESCRIPTION:		STATUS:
FOR INFORMATION		S2

DRAWING NUMBER:	REV:
23920 - MWP - ZZ - ZZ - DR - C - 5150	P01