

General notes:

This drawing to be read in conjunction with all relevant architectural drawings and specifications.

This drawing to be read in conjunction with all relevant structural drawings and specifications.

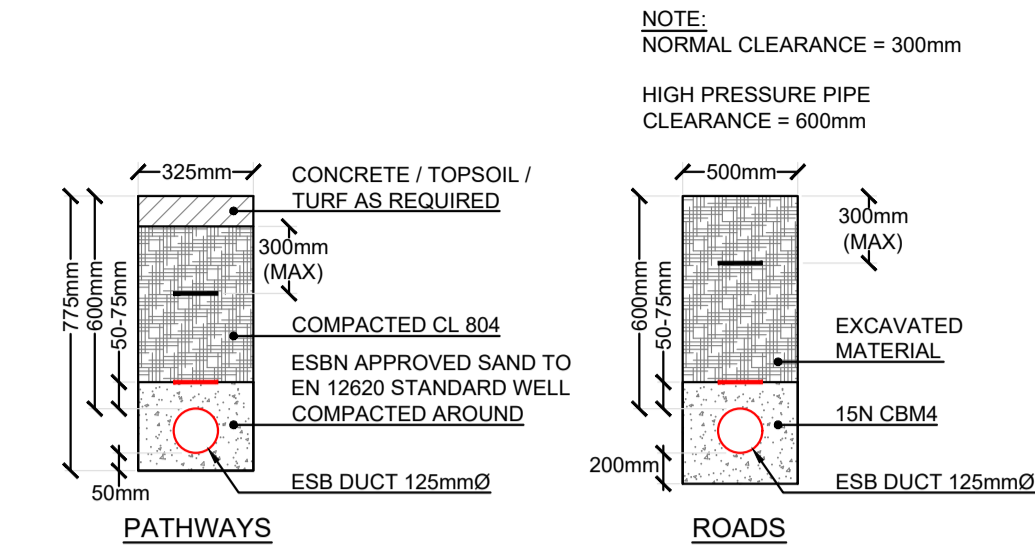
This drawing to be read in conjunction with all relevant mechanical and electrical drawings and specifications.

All dimensions in millimeters, do not scale from this drawing, only use figured dimensions only.

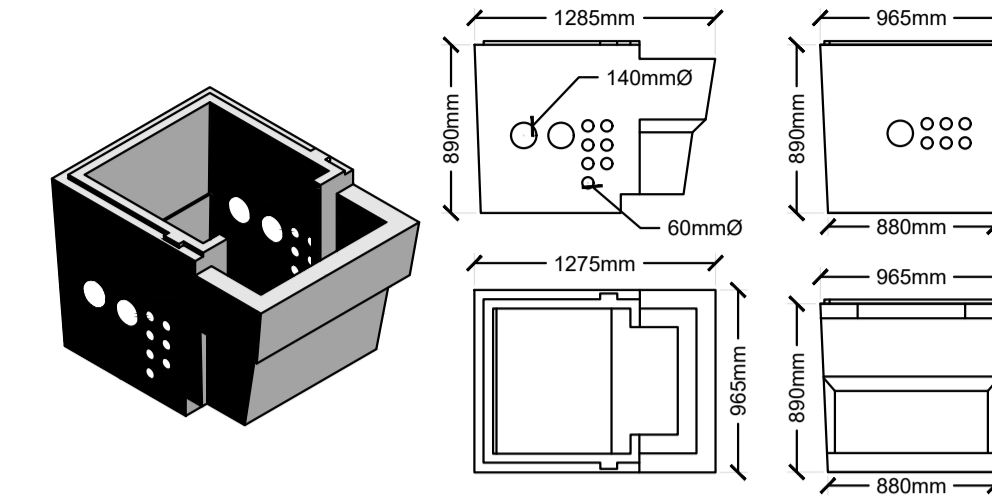
Contractor must verify all dimensions on site prior to installation of services and production of working drawings.

Standard notes:

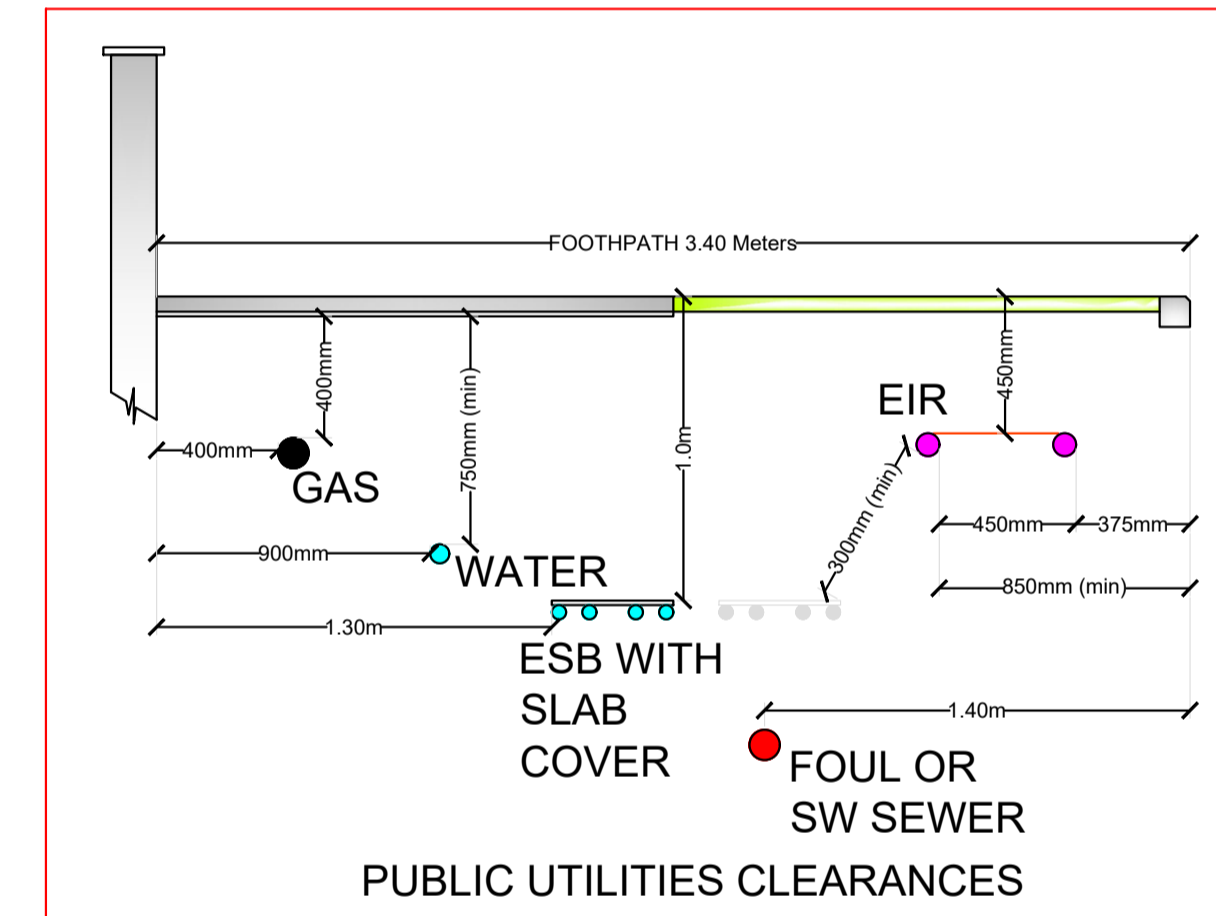
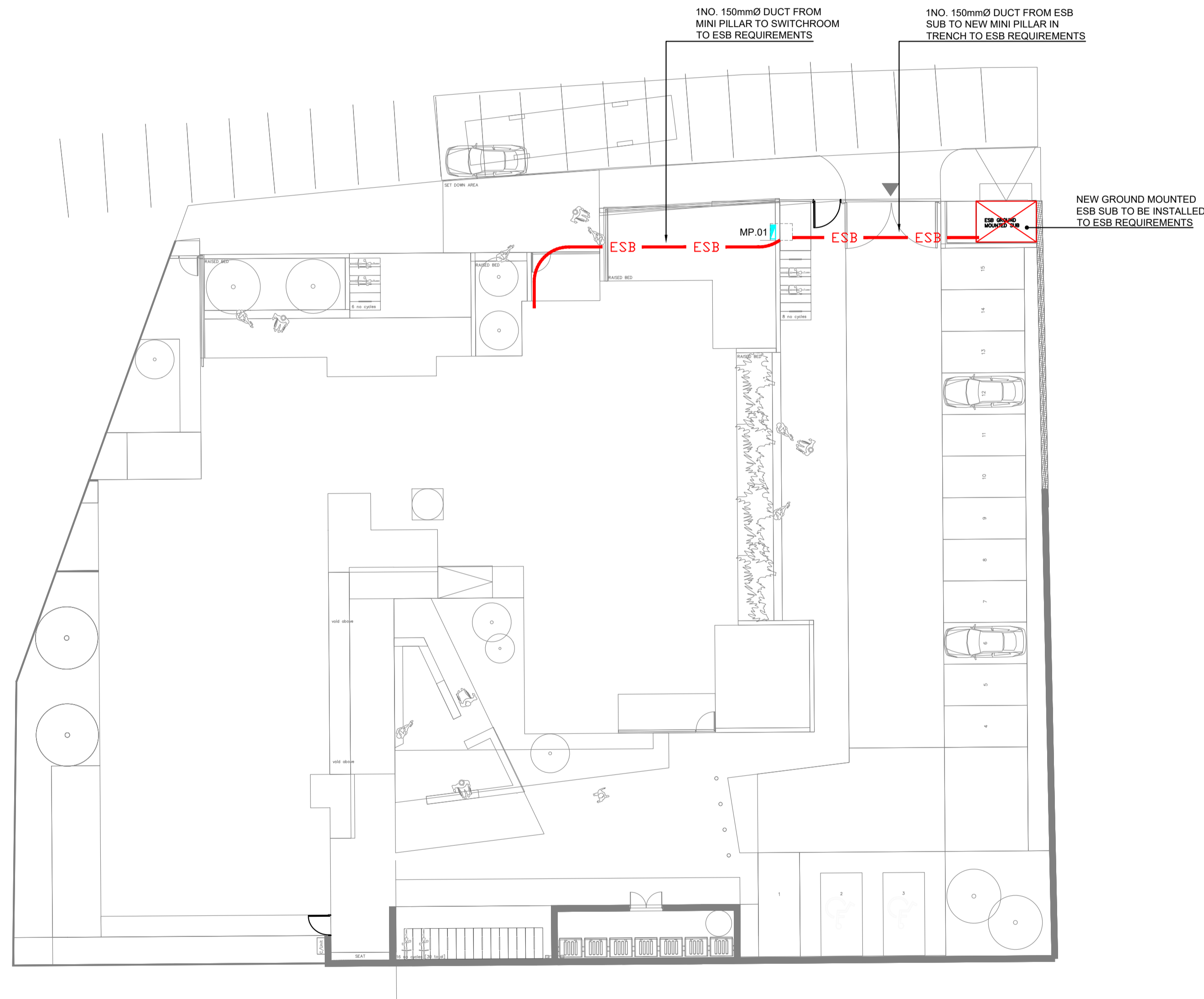
1. The Contractor shall liaise with ESB networks prior to excavation works on site.
2. All ESB ducting to be installed as per ESB guidelines.



A ESB DUCTWORK INSTALLATION
Scale: NTS



B ESB MINI-PILLAR VAULT
Scale: NTS



P1	Issued for Planning	16/08/2024
Rev	Description	Date



Client: Limerick City & County Council

Architect: MGNE Architects
23 Mountjoy Square
Dublin 1

Project: Raheen Social Housing
Ballycummin Road, Raheen,
Limerick

Drawing: Electrical Installation
ESB Ducting

Proj Ref 23.2516	Drg Ref P-E200	Scale 1:200 A1
--------------------	------------------	------------------

Drawn TK	Checked JM	Approved MF
------------	--------------	---------------

Drawing Status:

Preliminary	<input type="checkbox"/> For Approval	<input checked="" type="checkbox"/> Tender Issue
For Information	<input type="checkbox"/> For Comment	<input type="checkbox"/> Contract Issue