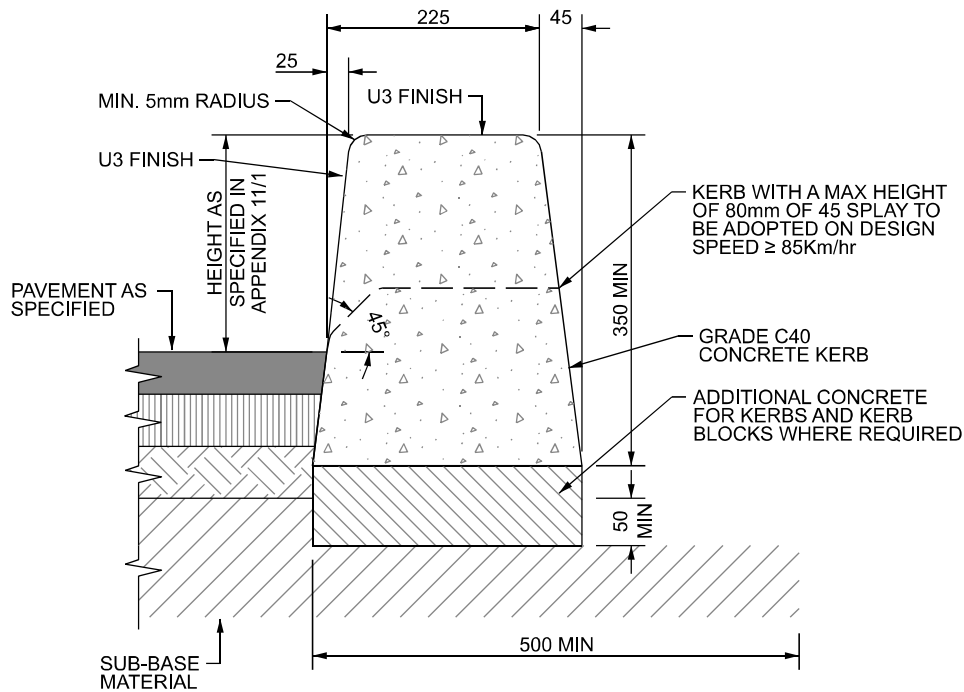
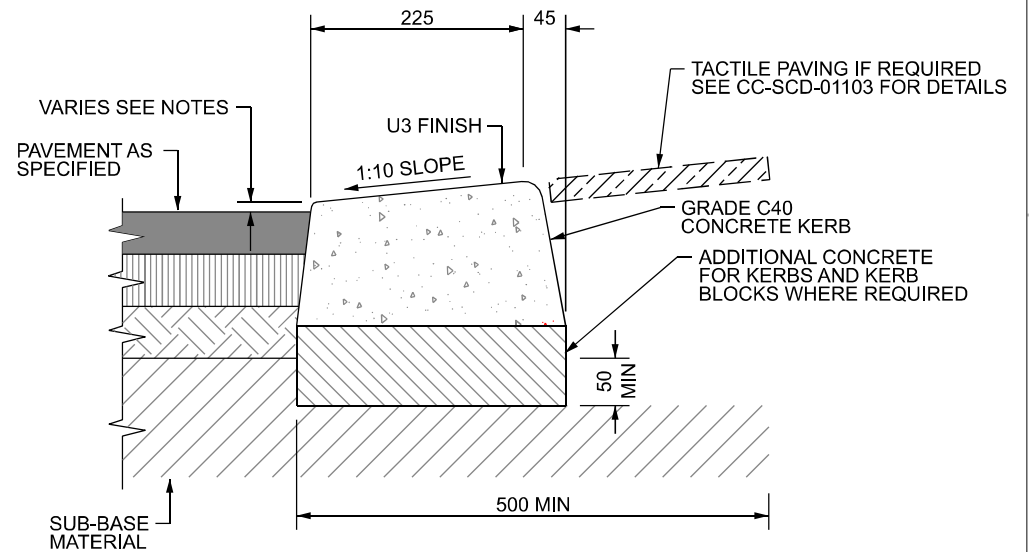


NOTES :-

1. ALL DIMENSIONS ARE IN MILLIMETRES.
2. IN SITU CONCRETE KERBS SHALL COMPLY WITH THE RECOMMENDATIONS OF B.S. 5931.
3. KERBS SHALL BE PROTECTED FROM THE EFFECTS OF ADVERSE WEATHER UNTIL CURED.
4. DROP KERB HEIGHT VARIES FROM 25mm FOR VEHICULAR ACCESSES AND 0-6mm FOR PEDESTRIAN CROSSING.



STANDARD IN SITU CONCRETE KERB



IN SITU CONCRETE DROP KERB



PUBLICATION TITLE

KERBS, FOOTWAYS AND PAVED AREAS
IN SITU KERBS

ACTIVITY

STREAM

STANDARD CONSTRUCTION DETAILS (SCD)

HISTORICAL REFERENCE

RCD/1100/2

DOCUMENTATION SET

STANDARDS

PUBLICATION DATE

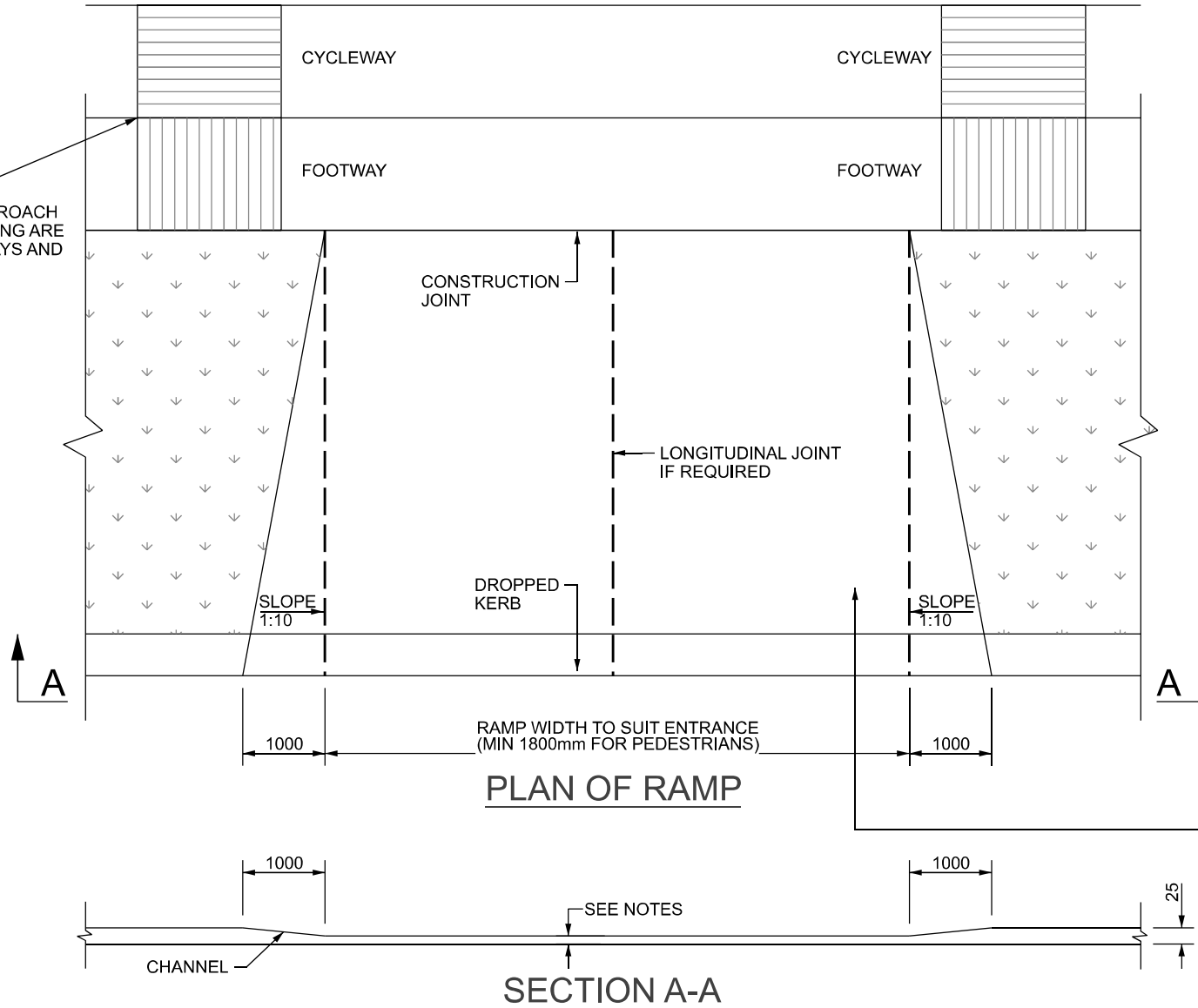
DECEMBER 2010

PUBLICATION NUMBER

ACTIVITY STREAM DRAWING NUMBER

CC SCD 01102

TACTILE PAVING
TACTILE PAVING ON APPROACH
TO PEDESTRIAN CROSSING ARE
REQUIRED ON CYCLEWAYS AND
FOOTWAYS



- NOTES :-
1. A RAISED LIP OF 25mm SHOULD BE USED FOR VEHICULAR ENTRANCES.
 2. A RAISED LIP OF 0-6mm SHOULD BE USED FOR PEDESTRIAN CROSSING.
 3. REFER TO CC-SCD-01109 FOR PRECAST KERB DIMENSIONS.
 4. REFER TO CC-SCD-01102 FOR INSITU CONCRETE KERB DIMENSIONS.
 5. TACTILE PAVING IS TO BE PROVIDED AT ALL PEDESTRIAN CROSSINGS, ADVICE ON THE EXACT LOCATION AND DIMENSIONS CAN BE FOUND FROM THE UK DEPARTMENT FOR TRANSPORT, MOBILITY INCLUSION UNIT DOCUMENT, "GUIDANCE ON THE USE OF TACTILE PAVING SURFACE".
 6. ALL DIMENSIONS ARE IN MILLIMETRES.
 7. TACTILE PAVING TO BE LAID ON A MINIMUM 30mm / MAXIMUM 70mm COMPACTED THICKNESS OF SEMI-DRY CONCRETE CONTAINING FORTA-FIBRE POLYPROPYLENE FIBRES OR OTHER APPROVED EQUIVALENT FIBRE. REINFORCEMENT AT A RATE OF 0.9 kg/m³. THE COMPRESSIVE STRENGTH OF THE BEDDING SHALL NOT BE LESS THAN 35 N/sq mm.

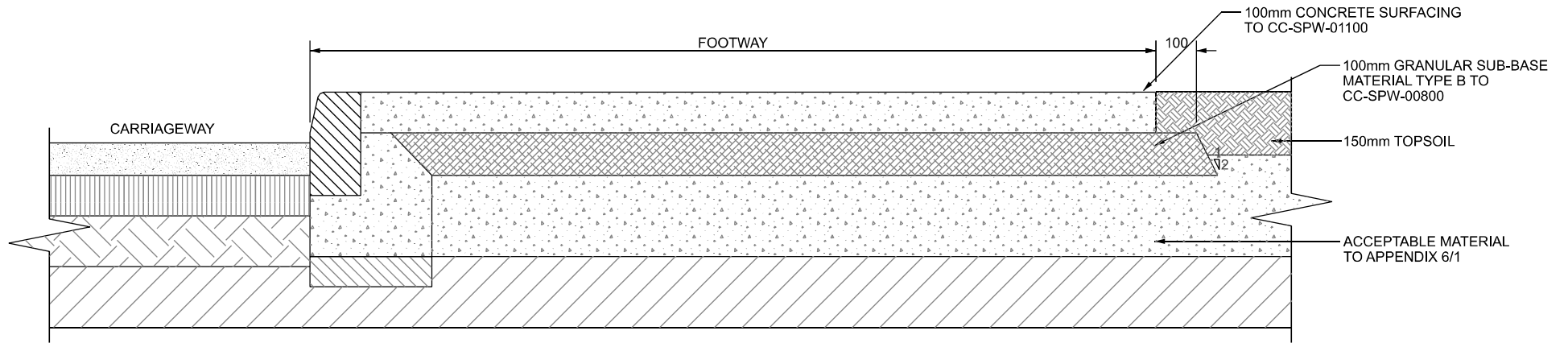
VEHICULAR ACCESS:
RAMP CONSTRUCTION FROM GRADE C30 CONCRETE 150mm THICK WITH A393 MESH REINFORCED TOP AND BOTTOM. SURFACE OF RAMP TO BE BRUSHED TOP FROM 'NON-SLIP' FINISH.

PEDESTRIAN CROSSINGS:
TACTILE PAVING TO BE PROVIDED TO GIVE GUIDANCE TO VISUALLY IMPAIRED PEDESTRIANS.

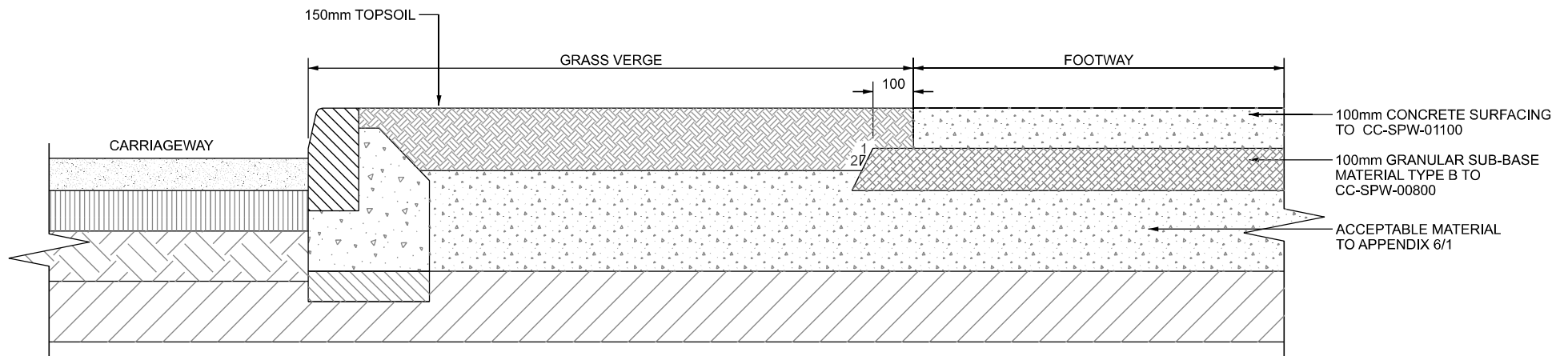


PUBLICATION TITLE
KERBS, FOOTWAYS AND PAVED AREAS
DROPPED KERB RAMP

STREAM	ACTIVITY	HISTORICAL REFERENCE	DOCUMENTATION SET	PUBLICATION DATE	PUBLICATION NUMBER		
					ACTIVITY	STREAM	DRAWING NUMBER
STANDARD CONSTRUCTION DETAILS (SCD)		RCD/1100/3	STANDARDS	MARCH 2020	CC	SCD	01103



TYPE 1



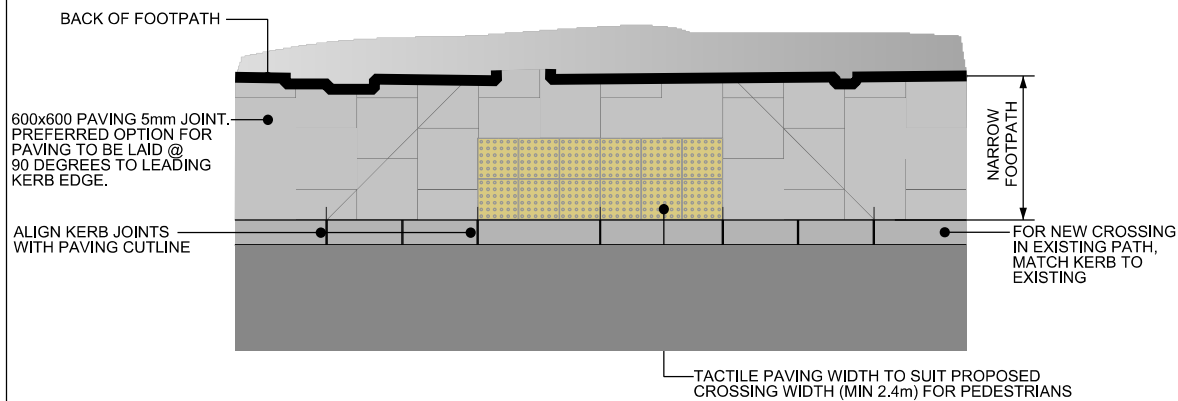
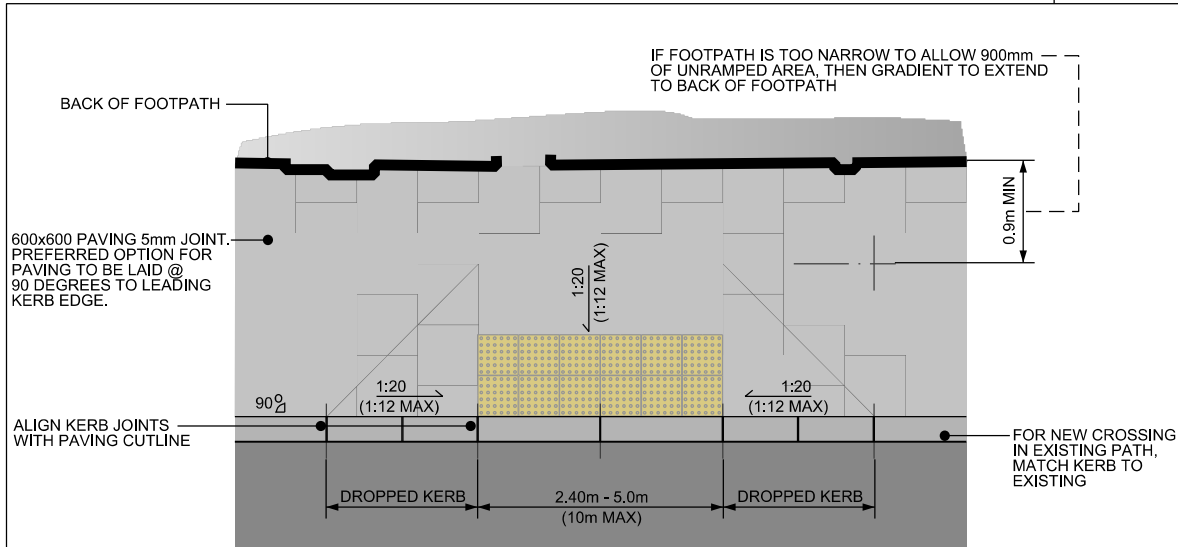
TYPE 2

NOTE:
 1. FOOTWAY IS SHOWN WITH A PRECAST CONCRETE KERB TYPE A. ALTERNATIVE KERB TYPES ARE SHOWN ON CC-SCD-01101 AND CC-SCD-01102.
 2. ALL DIMENSIONS ARE IN MILLIMETRES.

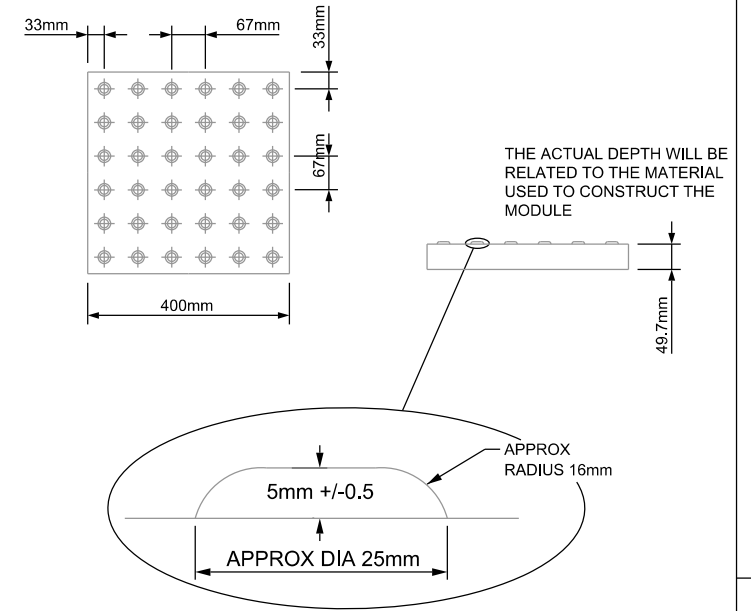


PUBLICATION TITLE
**KERBS, FOOTWAYS AND PAVED AREAS
 CONCRETE FOOTWAY**

ACTIVITY	PUBLICATION TITLE			PUBLICATION NUMBER		
STREAM	HISTORICAL REFERENCE	DOCUMENTATION SET	PUBLICATION DATE	ACTIVITY	STREAM	DRAWING NUMBER
STANDARD CONSTRUCTION DETAILS (SCD)	RCD/1100/5	STANDARDS	MARCH 2000	CC	SCD	01105



MODULE TYPE B - 36 DOMES



NOTES:

1. THE TACTILE DOMES ON THE TILES MUST BE LINED UP TO GIVE THE DIRECTION OF TRAVEL IN ORDER TO CROSS THE CARRIAGEWAY STRAIGHT
2. UTILITY CABINETS/CHAMBERS MUST NOT BE LOCATED WITHIN TACTILE PAVING AREA
3. REFER TO TACTILE PAVING GUIDANCE DOCUMENTATION
4. MODULE TYPE B (400 x 400mm) ONLY IS SHOWN HERE AND SHALL BE USED IN MOST CASES. OTHER SIZE MODULES MAY BE USED WHERE SITE SPECIFIC CIRCUMSTANCES DICTATE.
5. TACTILE BLISTER PAVING SHALL BE BEDDED ON 25mm MOIST SAND / CEMENT MORTAR (3:1), JOINTS FILLED WITH 4:1 MIX WITHIN 2mm OF THE PAVING SURFACE.

LEGEND:

 TACTILE PAVIOUR: 400X400 BUFF FINISH (5mm JOINT). TACTILE TO BE LAID SO BLISTER PATTERN IS IN LINE WITH CROSSING.



ACTIVITY



PUBLICATION TITLE

TACTILE AND PAVING DETAILS AND RECOMMENDED GRADIENTS AT UNCONTROLLED PEDESTRIAN CROSSING

STREAM

STANDARD CONSTRUCTION DETAILS (SCD)

HISTORICAL REFERENCE

N/A

DOCUMENTATION SET

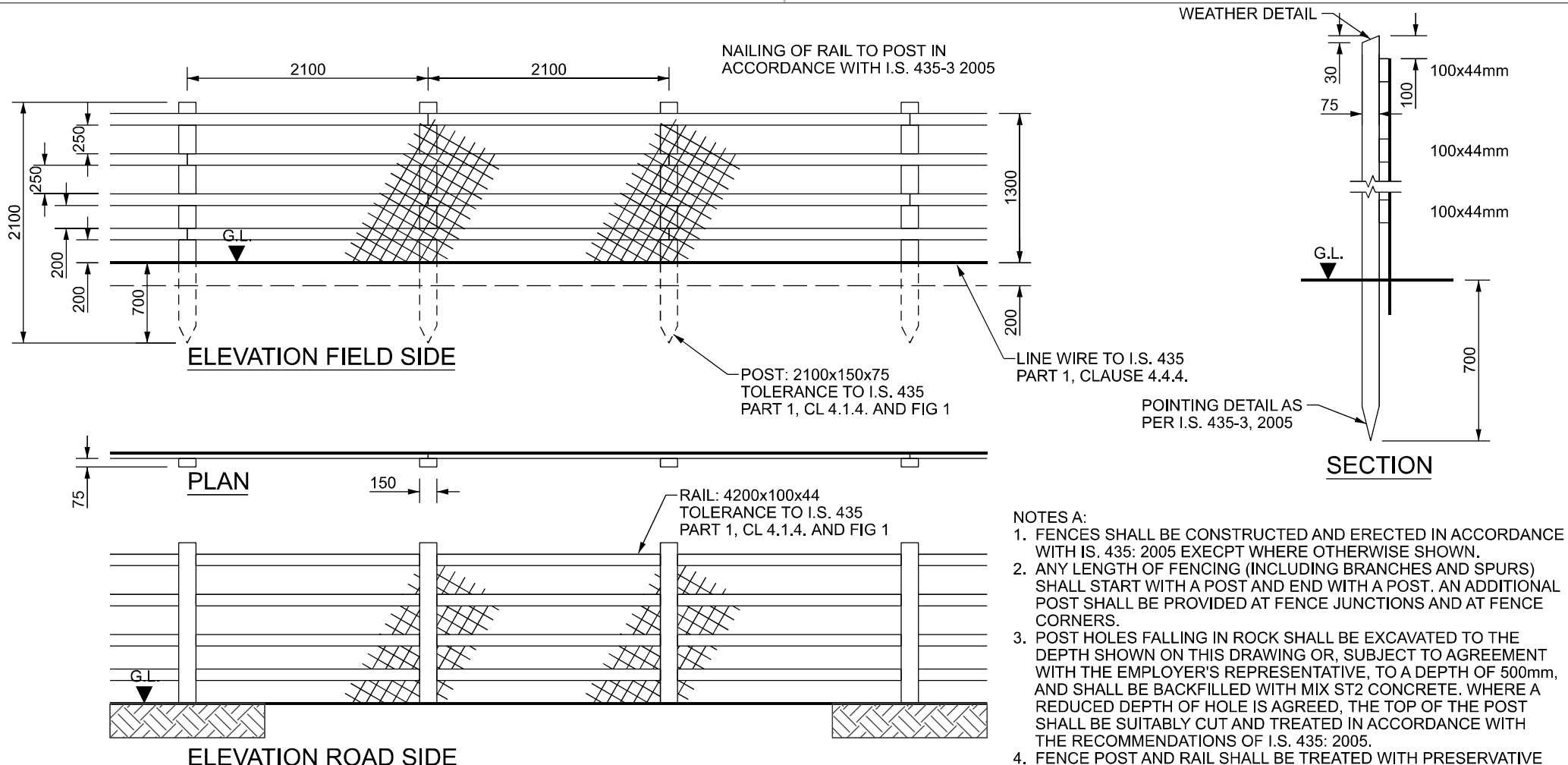
STANDARDS

PUBLICATION DATE

JULY 2021

PUBLICATION NUMBER

CC SCD 05136



- NOTES A:**
- FENCES SHALL BE CONSTRUCTED AND ERECTED IN ACCORDANCE WITH IS. 435: 2005 EXCEPT WHERE OTHERWISE SHOWN.
 - ANY LENGTH OF FENCING (INCLUDING BRANCHES AND SPURS) SHALL START WITH A POST AND END WITH A POST. AN ADDITIONAL POST SHALL BE PROVIDED AT FENCE JUNCTIONS AND AT FENCE CORNERS.
 - POST HOLES FALLING IN ROCK SHALL BE EXCAVATED TO THE DEPTH SHOWN ON THIS DRAWING OR, SUBJECT TO AGREEMENT WITH THE EMPLOYER'S REPRESENTATIVE, TO A DEPTH OF 500mm, AND SHALL BE BACKFILLED WITH MIX ST2 CONCRETE. WHERE A REDUCED DEPTH OF HOLE IS AGREED, THE TOP OF THE POST SHALL BE SUITABLY CUT AND TREATED IN ACCORDANCE WITH THE RECOMMENDATIONS OF I.S. 435: 2005.
 - FENCE POST AND RAIL SHALL BE TREATED WITH PRESERVATIVE IN ACCORDANCE WITH THE REQUIREMENTS OF CC-SPW-00300 AND APPENDIX B OF I.S. 435-1: 2005.
 - CONCRETE FOUNDATIONS TO POSTS SHALL BE PROVIDED WHERE STATED IN APPENDIX 3/1.
 - WHERE SIDELONG GROUND SLOPES DOWN TOWARDS THE FENCE AT A SLOPE GREATER THAN 1:4, THEN THE PERMANENT FENCING POST HEIGHT SHALL BE INCREASED BY A MINIMUM OF 250mm AND AN ADDITIONAL RAIL ADDED.

NOTES B:
CHAINLINK MESH SHALL BE 1300mm WIDE, 50mm MESH MADE OF 2.25/3.15mm DIAM. PLASTIC COATED GALVANISED MILD STEEL WIRE TO IS EN 10223-6.

FIXING:
FIXING IN ACCORDANCE WITH I.S. 435-3, 2005,
NOTES 13 AND 14 AND SECTION 4.4 OF I.S. 435-3, 2005

	ACTIVITY	PUBLICATION TITLE								
		FENCING TIMBER POST AND RAIL FENCE								
STREAM	HISTORICAL REFERENCE	DOCUMENTATION SET	PUBLICATION DATE	PUBLICATION NUMBER						
STANDARD CONSTRUCTION DETAILS (SCD)	RCD/300/1	STANDARDS	JANUARY 2009	<table border="1"> <tr> <td>ACTIVITY</td> <td>STREAM</td> <td>DRAWING NUMBER</td> </tr> <tr> <td>CC</td> <td>SCD</td> <td>00301</td> </tr> </table>	ACTIVITY	STREAM	DRAWING NUMBER	CC	SCD	00301
ACTIVITY	STREAM	DRAWING NUMBER								
CC	SCD	00301								