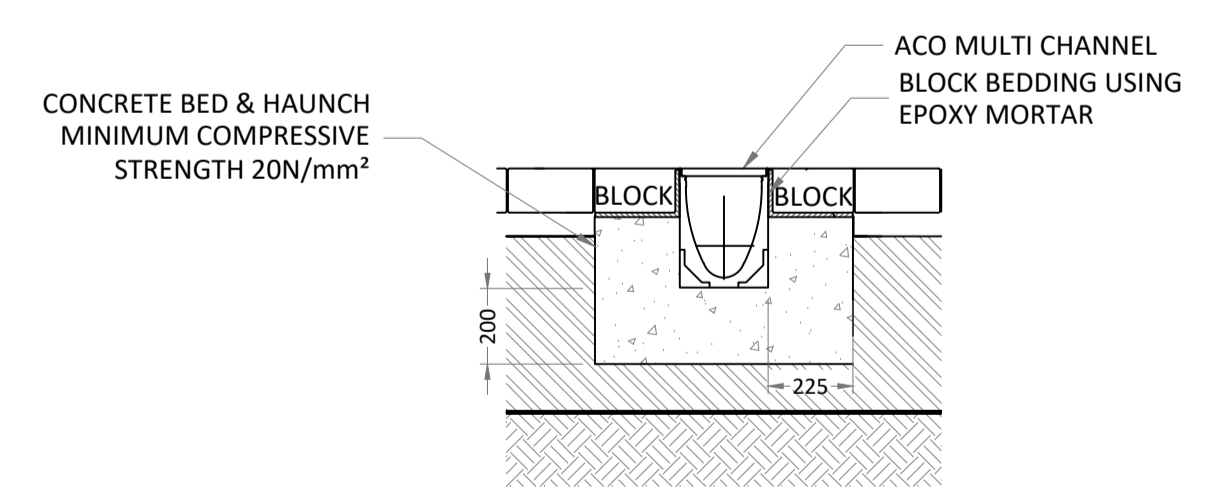
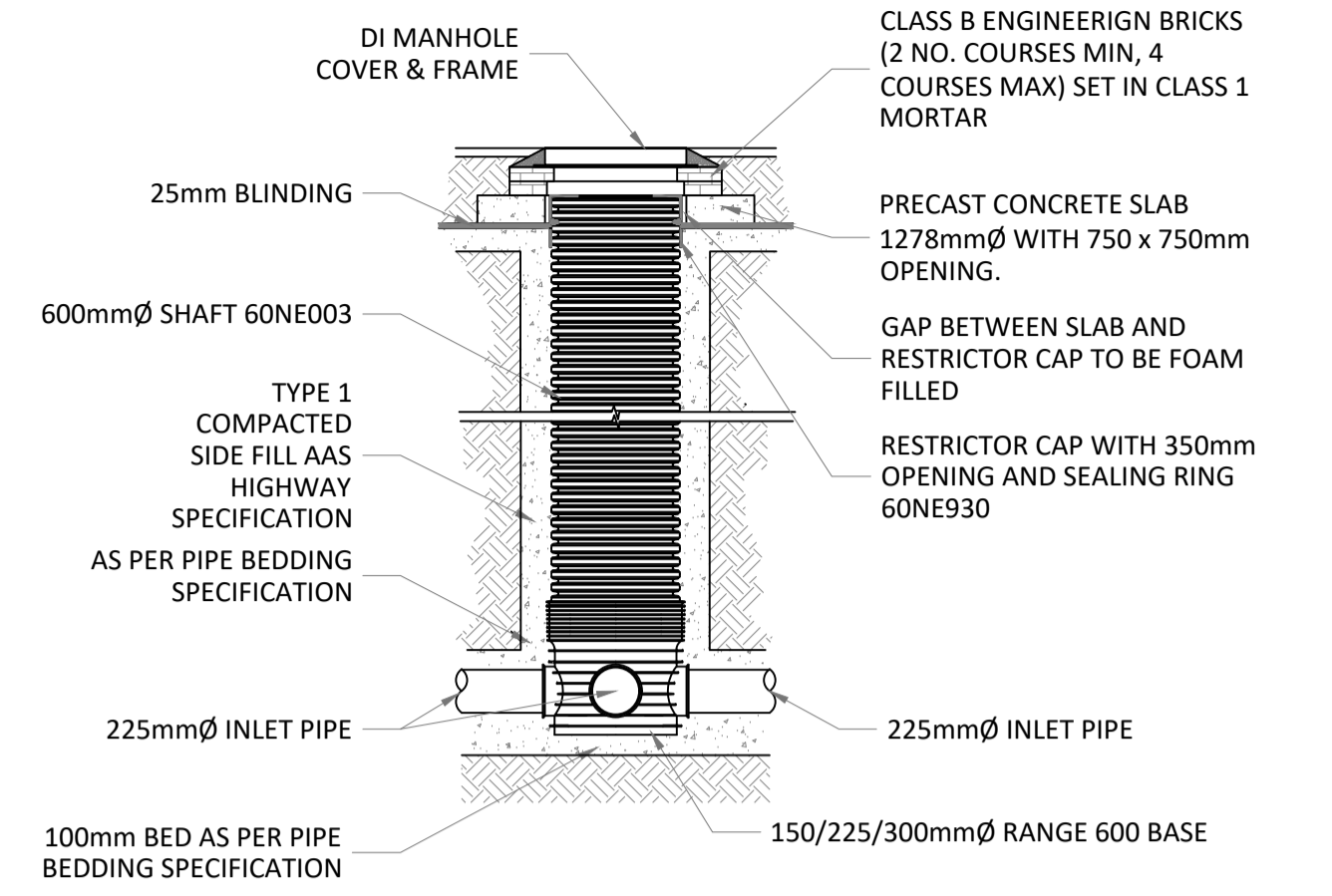


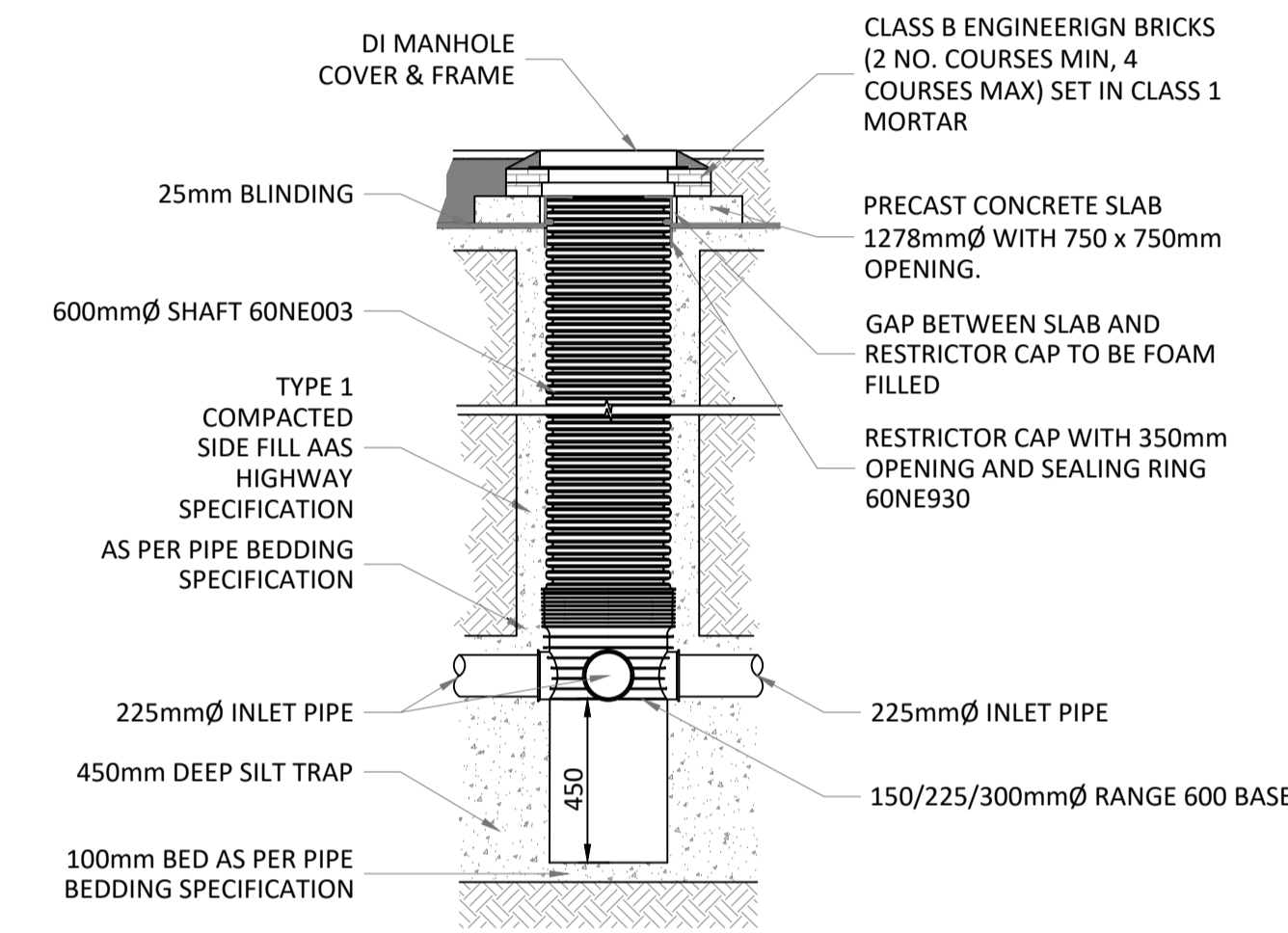
ATTENUATION TANK TYPICAL DETAILS



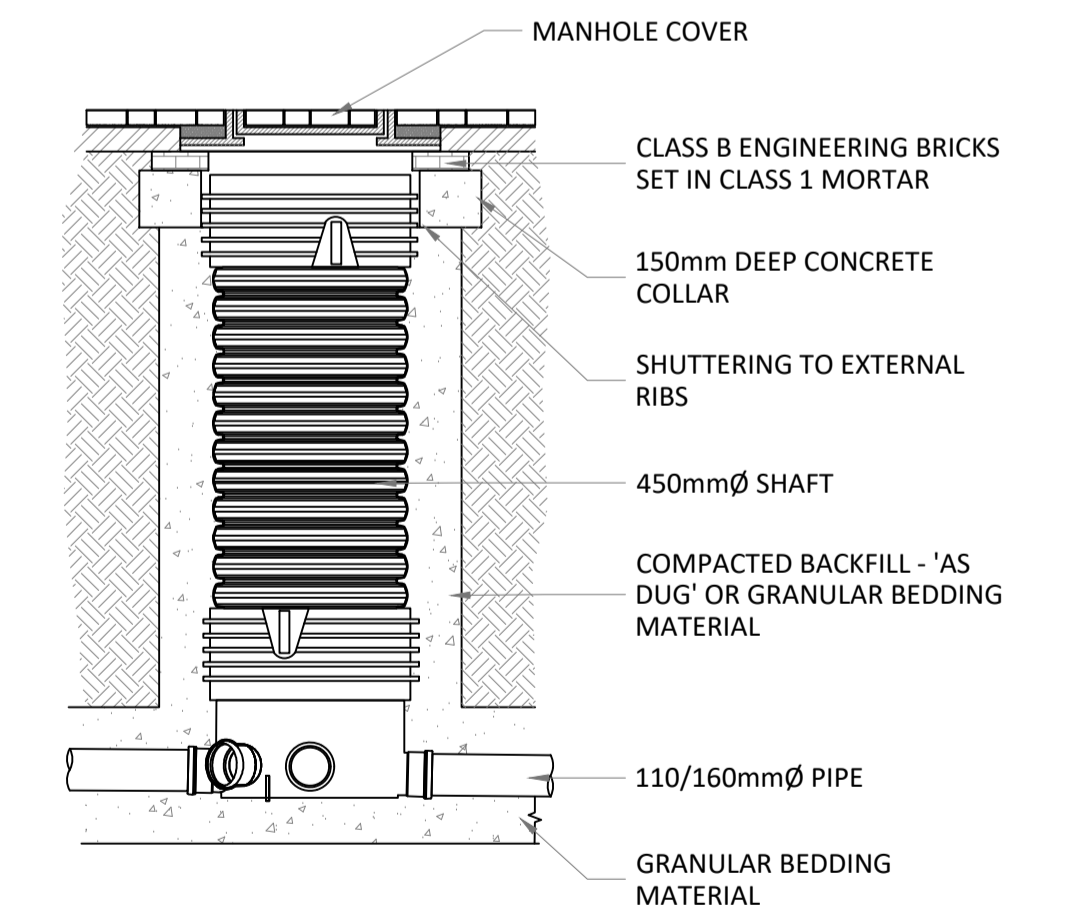
BLOCK PAVEMENT M150D CHANNEL D400 LOAD CLASS



RANGE 600 INSPECTION CHAMBER B125/D400 LOADING



RANGE 600 CATCHPIT INSPECTION CHAMBER B125/D400 LOADING



RANGE 450 INSPECTION CHAMBER B125/D400 LOADING

INFORMATION ONLY
THIS DRAWING HAS BEEN ISSUED FOR INFORMATION PURPOSES ONLY AND MUST NOT BE USED FOR CONSTRUCTION UNDER ANY CIRCUMSTANCES

- THIS DRAWING TO BE READ IN CONJUNCTION WITH ALL OTHER RELEVANT DESIGN TEAM DRAWINGS AND SPECIFICATIONS.
- FOR SETTING OUT REFER TO ARCHITECT'S DRAWINGS. DO NOT SCALE THIS DRAWING. USE FIGURED DIMENSIONS ONLY.
- NO PART OF THIS DOCUMENT MAY BE REPRODUCED OR TRANSMITTED IN ANY FORM OR STORED IN ANY RETRIEVAL SYSTEM OF ANY NATURE WITHOUT THE WRITTEN PERMISSION OF O'CONNOR SUTTON CRONIN AS COPYRIGHT HOLDER EXCEPT AS AGREED FOR USE ON THE PROJECT FOR WHICH THE DOCUMENT WAS ORIGINALLY ISSUED.

Rev No.	Date	Revision Note	Drn by	Chkd by
P01	09/08/24	ISSUE FOR INFORMATION	EK	SD

Rev No.	Date	Revision Note	Drn by	Chkd by



OCSC
O'CONNOR · SUTTON · CRONIN
MULTIDISCIPLINARY CONSULTING ENGINEERS
Civil / Structural / Environmental / Mechanical / Electrical / Sustainability
Dublin Office: 9 Prussia Street, Dublin 7. D07 KT57.
Tel: +353 (0)1 8682000 Web: www.ocsc.ie
Dublin · London · Belfast · Galway · Cork · Birmingham

Client: LIMERICK COUNTY COUNCIL
Project: 52 NEW ROAD, THOMONDGATE, LIMERICK
Title: TYPICAL DRAINAGE DETAILS SHEET 1

Code	Originator	Zone	Level	Type	Role	Number	Status	Revision
L362	OCSC	XX	XX	DR	C	0560	S2	P01

Date: AUG'24 Scale @ A1: 1:20 Drn by: EK Chkd by: SD Aprvd by: SD