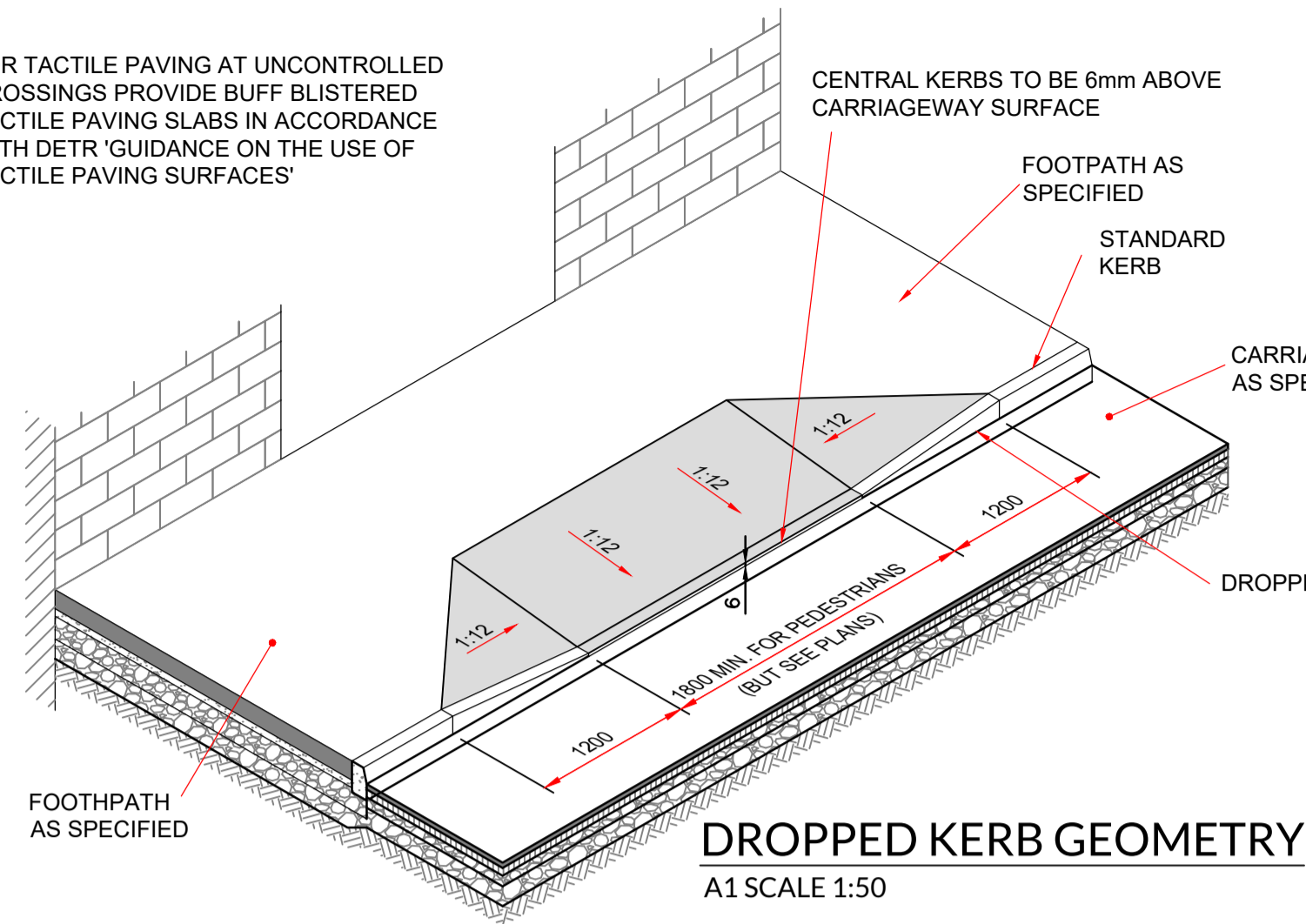
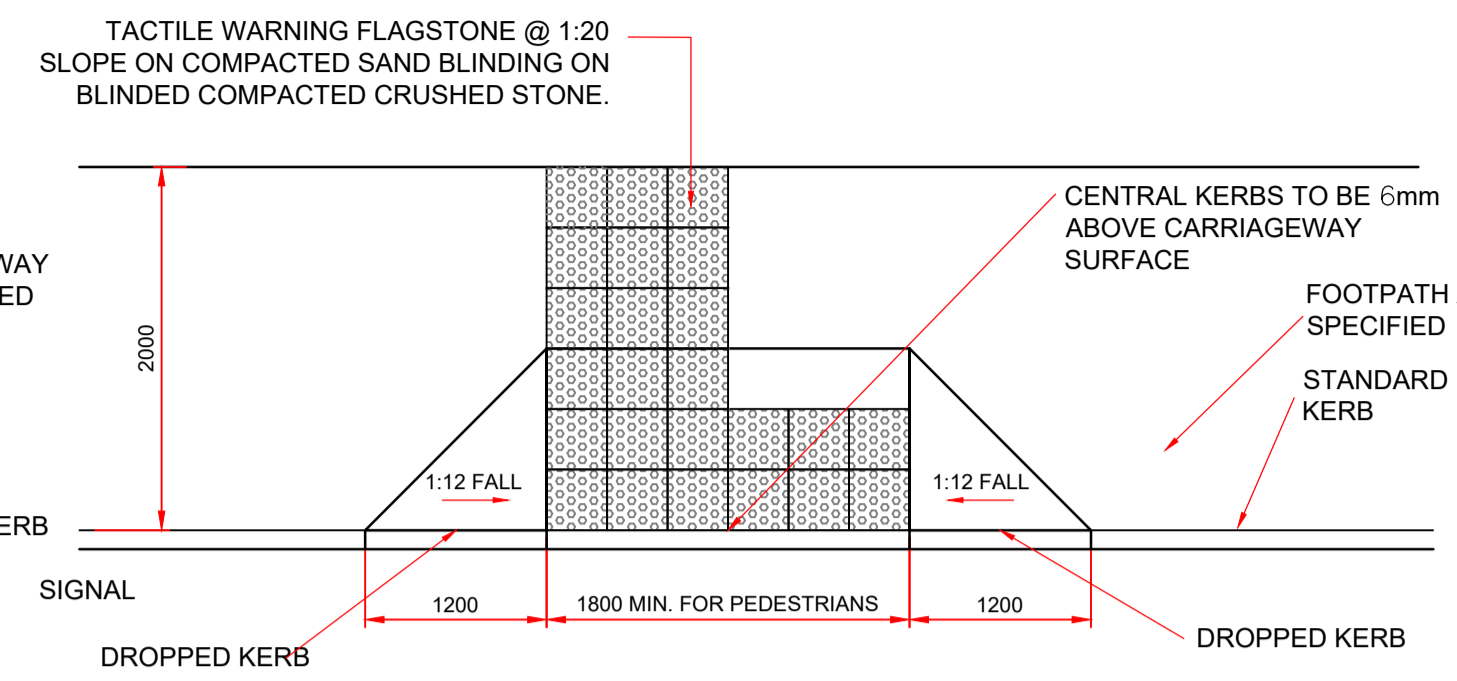


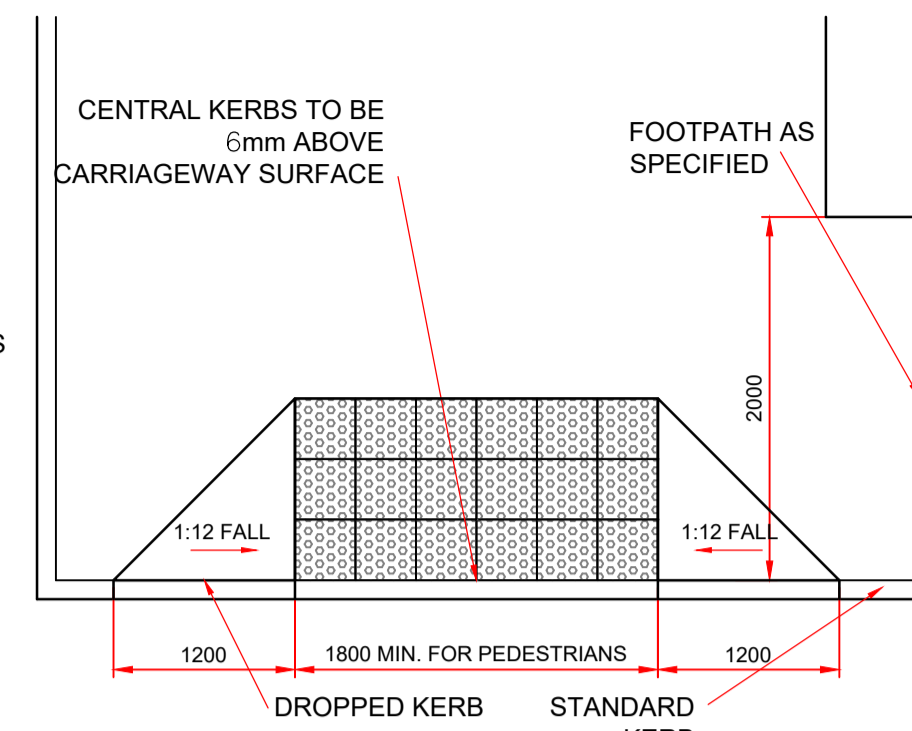
FOR TACTILE PAVING AT UNCONTROLLED CROSSINGS PROVIDE BUFF BLISTERED TACTILE PAVING SLABS IN ACCORDANCE WITH DETR 'GUIDANCE ON THE USE OF TACTILE PAVING SURFACES'



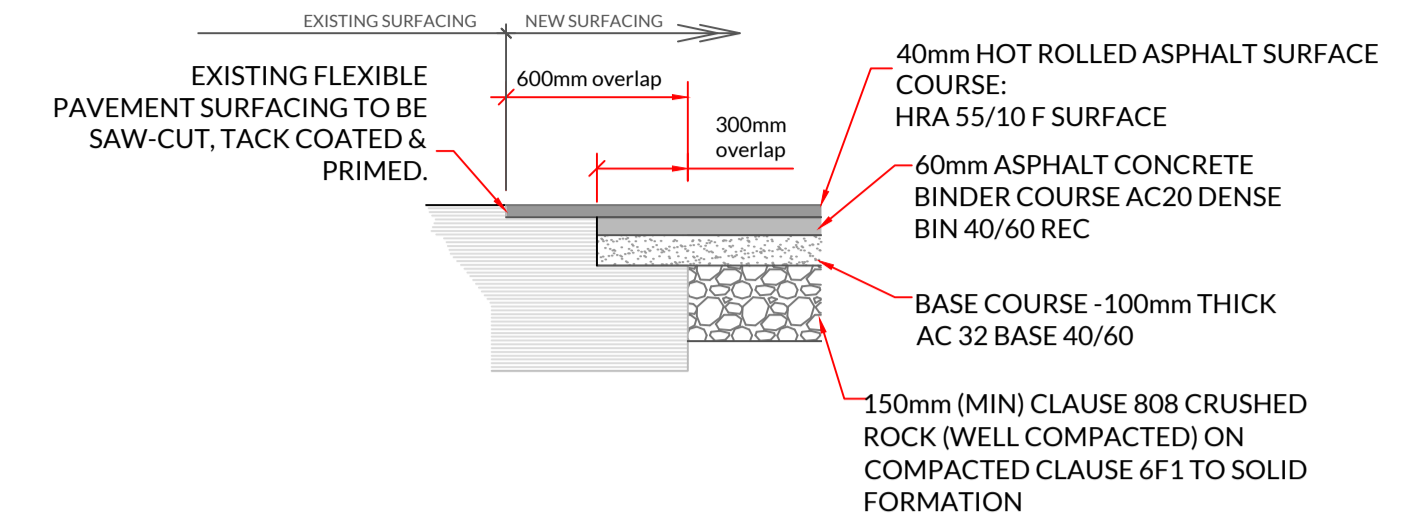
DROPPED KERB GEOMETRY
A1 SCALE 1:50



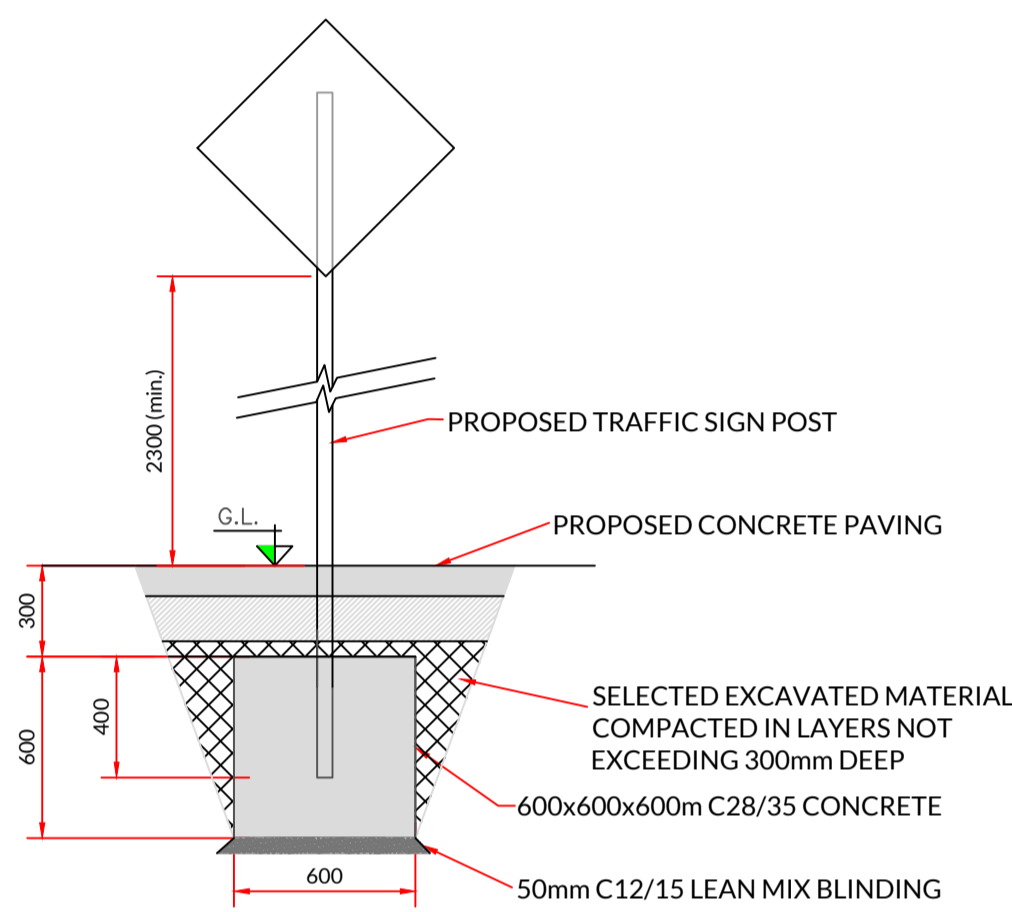
TYPICAL TACTILE PAVING & DROP KERB DETAILS (INSET)
A1 SCALE 1:50



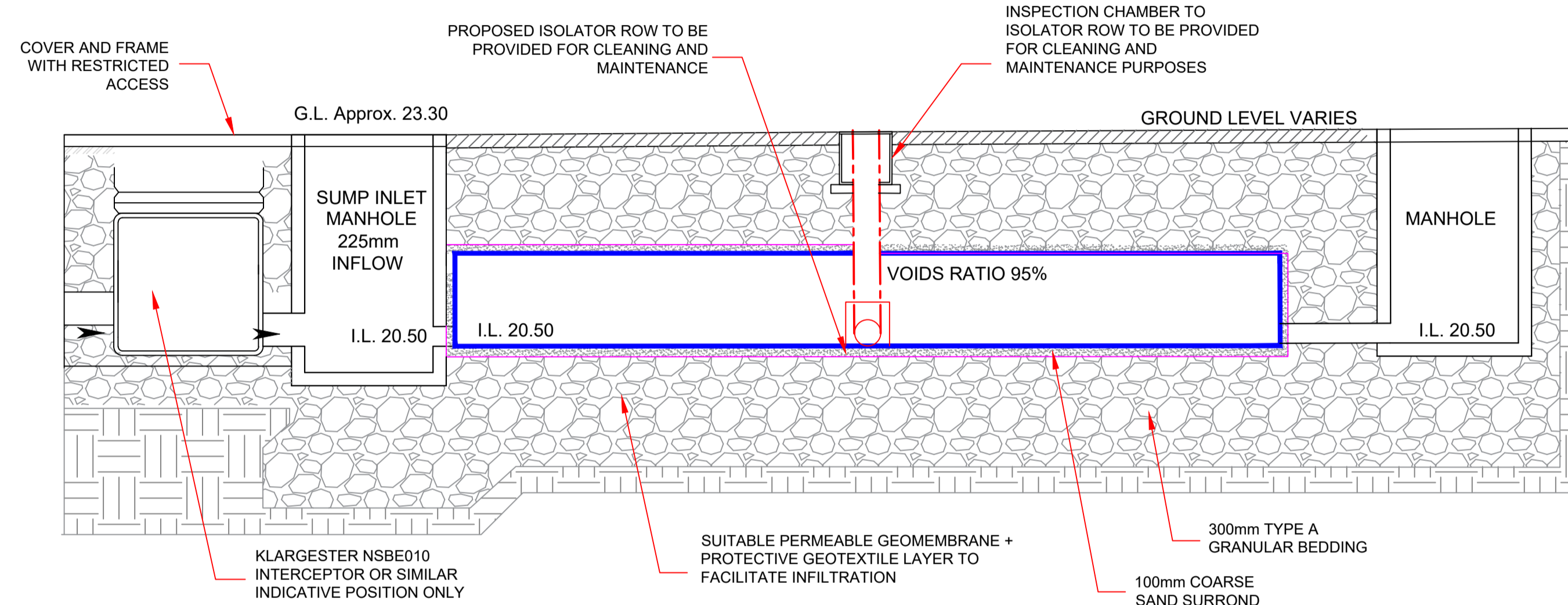
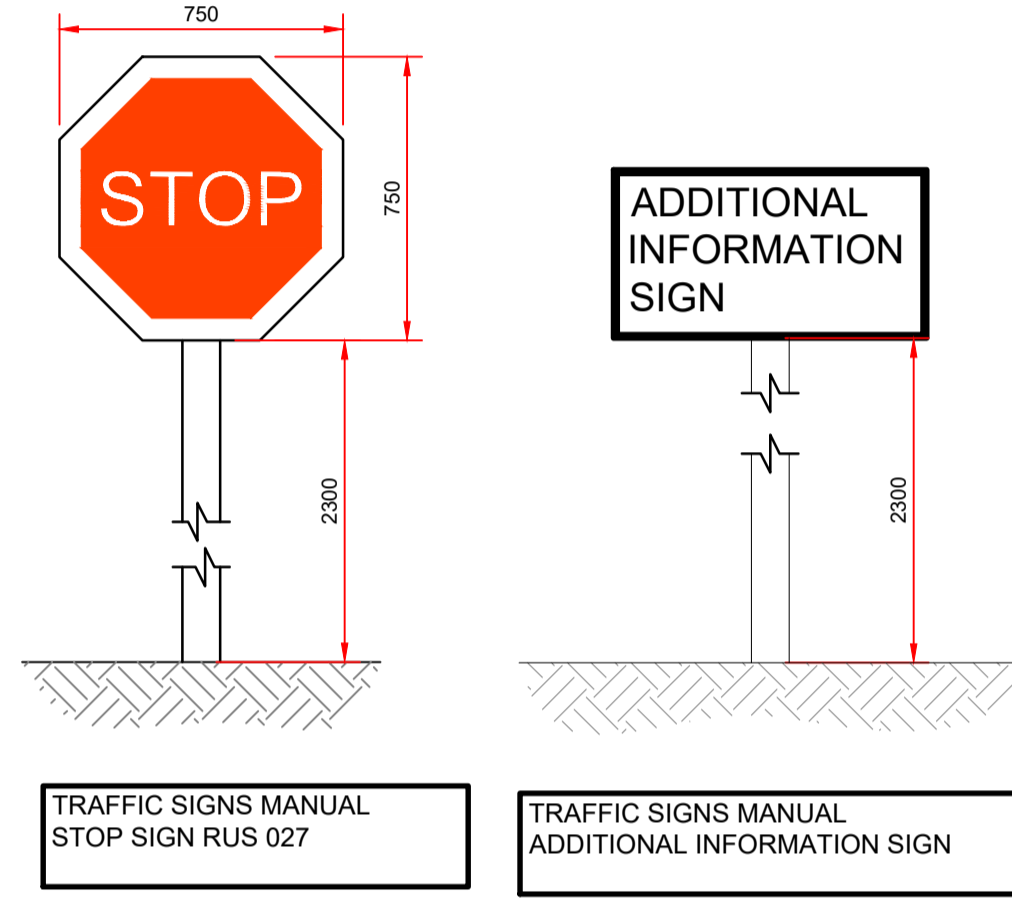
TYPICAL TACTILE PAVING & DROP KERB DETAILS (INLINE)
A1 SCALE 1:50



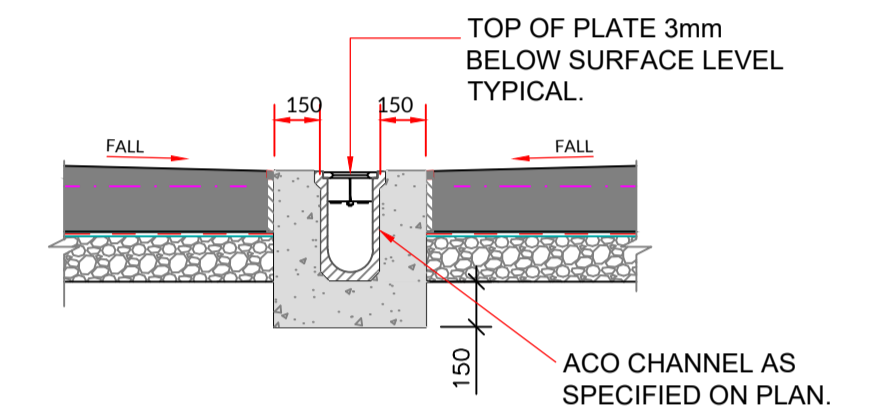
SURFACING INTERFACE DETAIL EXISTING / PROPOSED ASPHALT
A1 SCALE 1:25
A3 SCALE 1:50



TYPICAL ROAD SIGN DETAILS
A1 SCALE 1:25

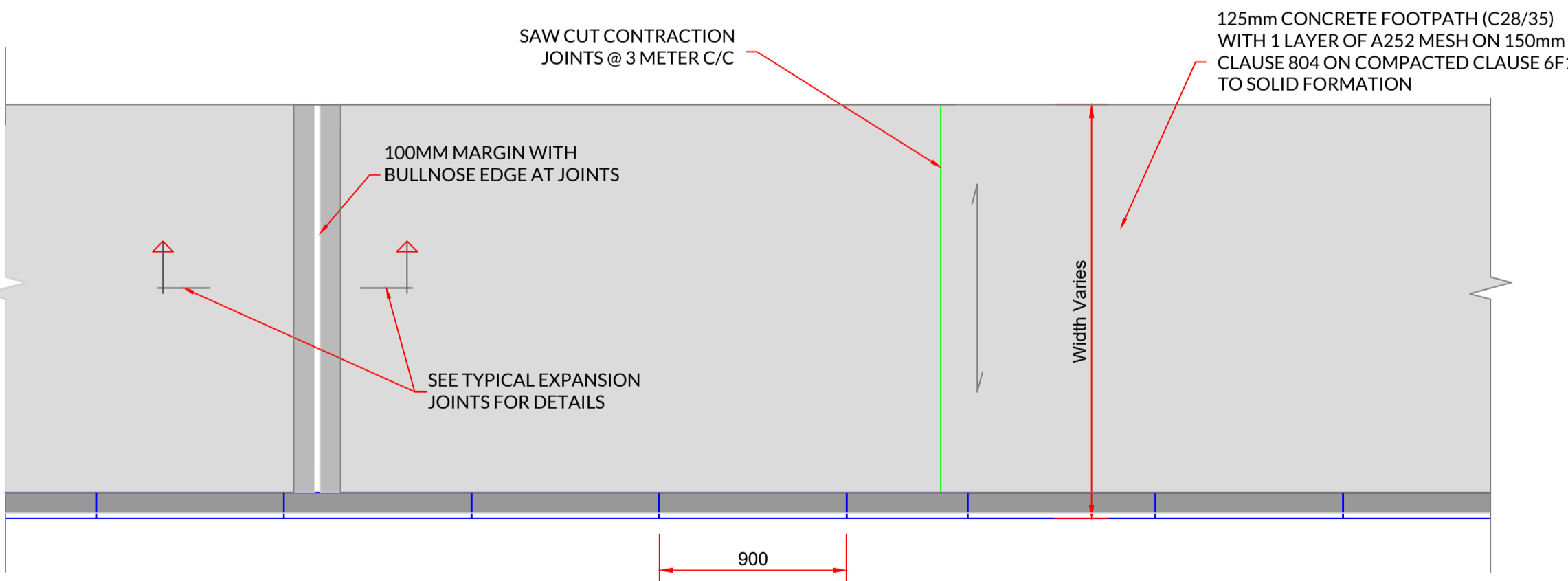


INFILTRATION TANK TYPICAL CROSS SECTION A-A
A1 SCALE 1:50

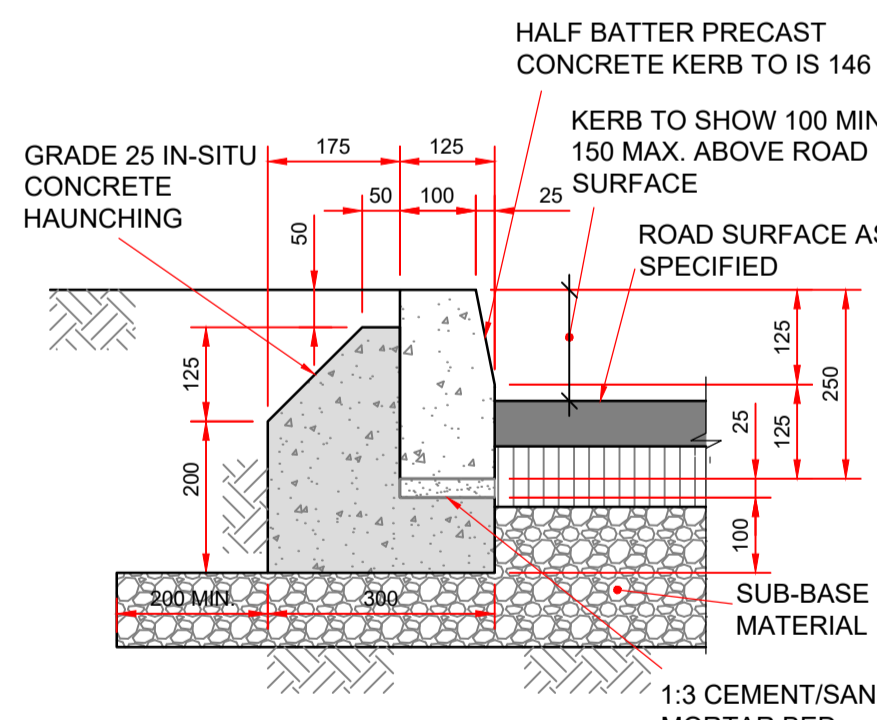


TYPICAL SECTION THROUGH ACO CHANNEL IN ROADWAY / HARDSTANDING
A1 SCALE 1:25

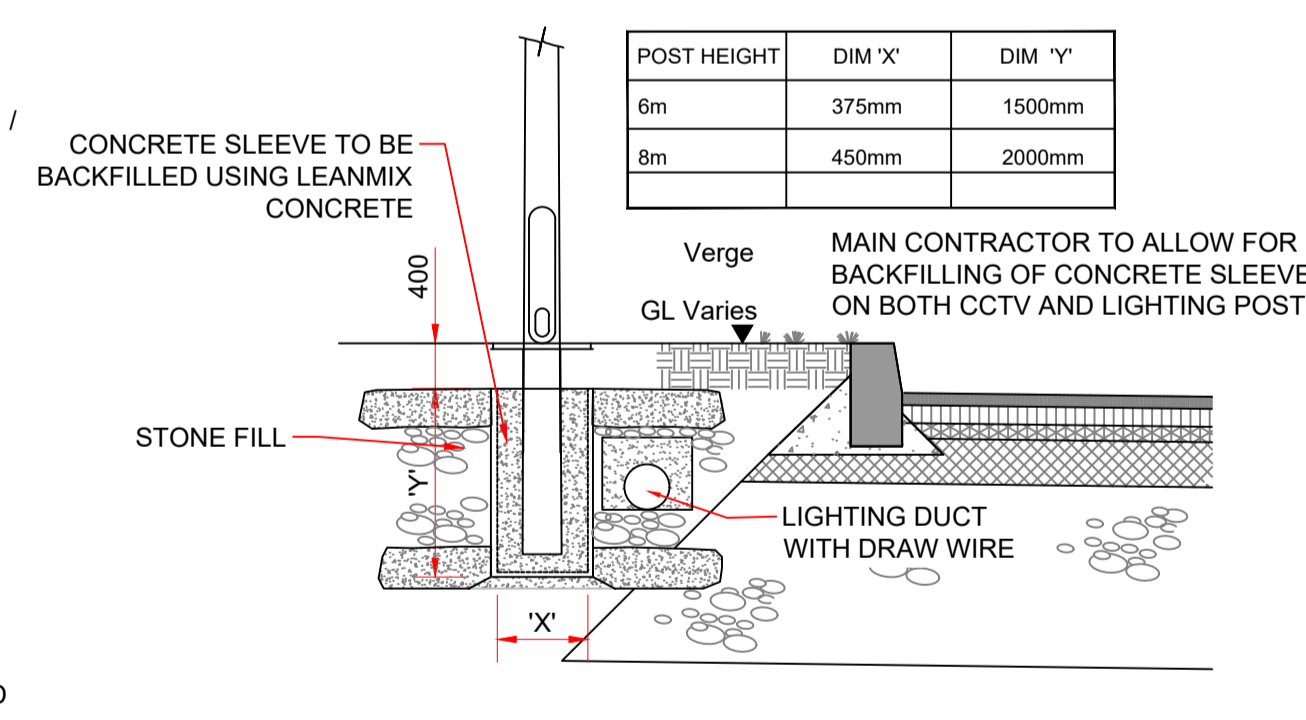
Rev	Date	Description	By	Chkd.
P0	03.10.2024	ISSUE FOR PLANNING	DM	RB



TYPICAL PLAN OF FOOTPATH
A1 SCALE 1:25



TYPICAL ROAD KERB DETAIL
A1 SCALE 1:10



TYPICAL LIGHTING POST FOUNDATION DETAIL
A1 SCALE 1:25

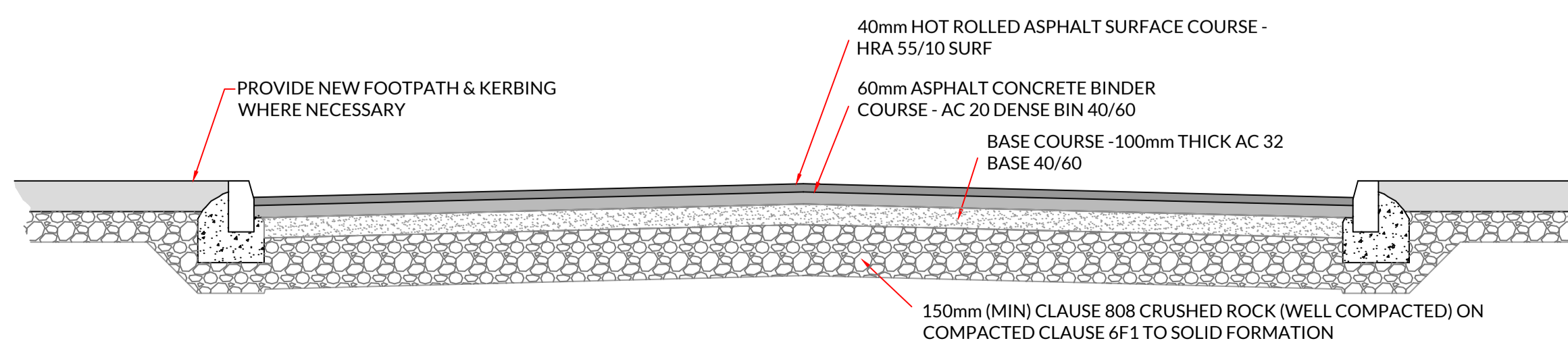
NOTES:

- FIGURED DIMENSIONS ONLY TO BE TAKEN FROM THIS DRAWING.
- ALL DRAWINGS TO BE CHECKED BY THE CONTRACTOR ON SITE.
- ENGINEER/EMPLOYERS REPRESENTATIVE, AS APPROPRIATE, TO BE INFORMED BY THE CONTRACTOR OF ANY DISCREPANCIES BEFORE ANY WORK COMMENCES.
- THE CONTRACTOR SHALL UNDERTAKE A THOROUGH CHECK FOR THE ACTUAL LOCATION OF ALL SERVICES/UTILITIES, ABOVE AND BELOW GROUND, BEFORE ANY WORK COMMENCES.
- ALL LEVELS SHOWN RELATE TO ORDNANCE SURVEY DATUM AT MALIN HEAD.



TYPICAL FOOTPATH EXPANSION JOINT - MIN @ 12M CTRS
A1 SCALE 1:25

TYPICAL FOOTPATH CONTRACTION/ CONSTRUCTION JOINT - MIN. 3M CTRS
A1 SCALE 1:25



TYPICAL ASPHALT ACCESS ROAD DETAIL
A1 SCALE 1:25
A3 SCALE 1:50

Client: Comhairle Cathrach & Contae Luimnigh
Limerick City & County Council

Project: **Raheen Social Housing**

Title: **Site Development Details Sheet 1 of 2**

Scale @ A1: **As Shown**
Prepared by: DM Checked by: RB Date: 20.09.2024
Drawing Status: **PLANNING**

TOBIN
CONSULTING ENGINEERS
Tel: +353 (0)91 565 211
Email: info@tobin.ie
www.tobin.ie

Drawing No.: **11605-2104** Revision: **P0**