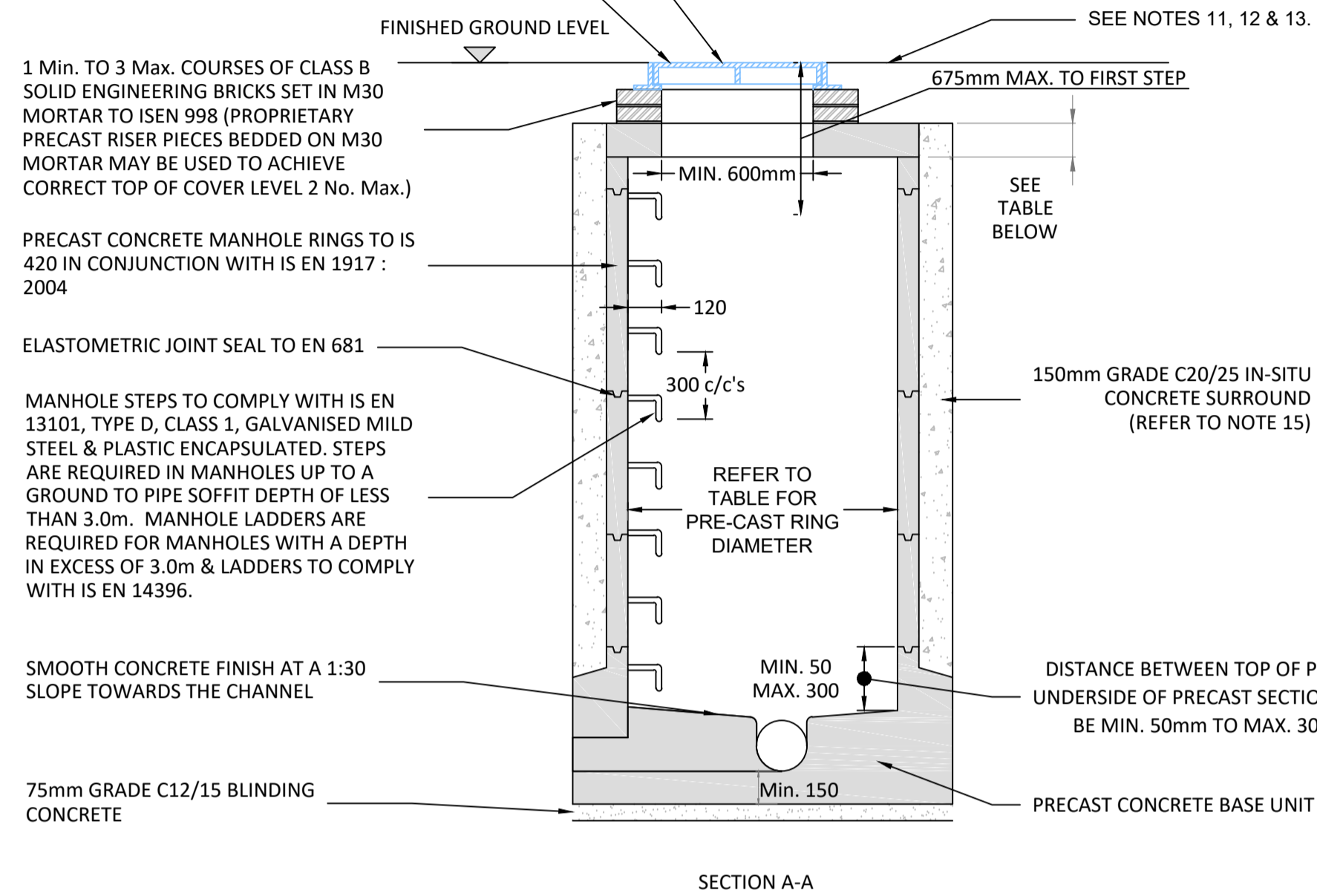


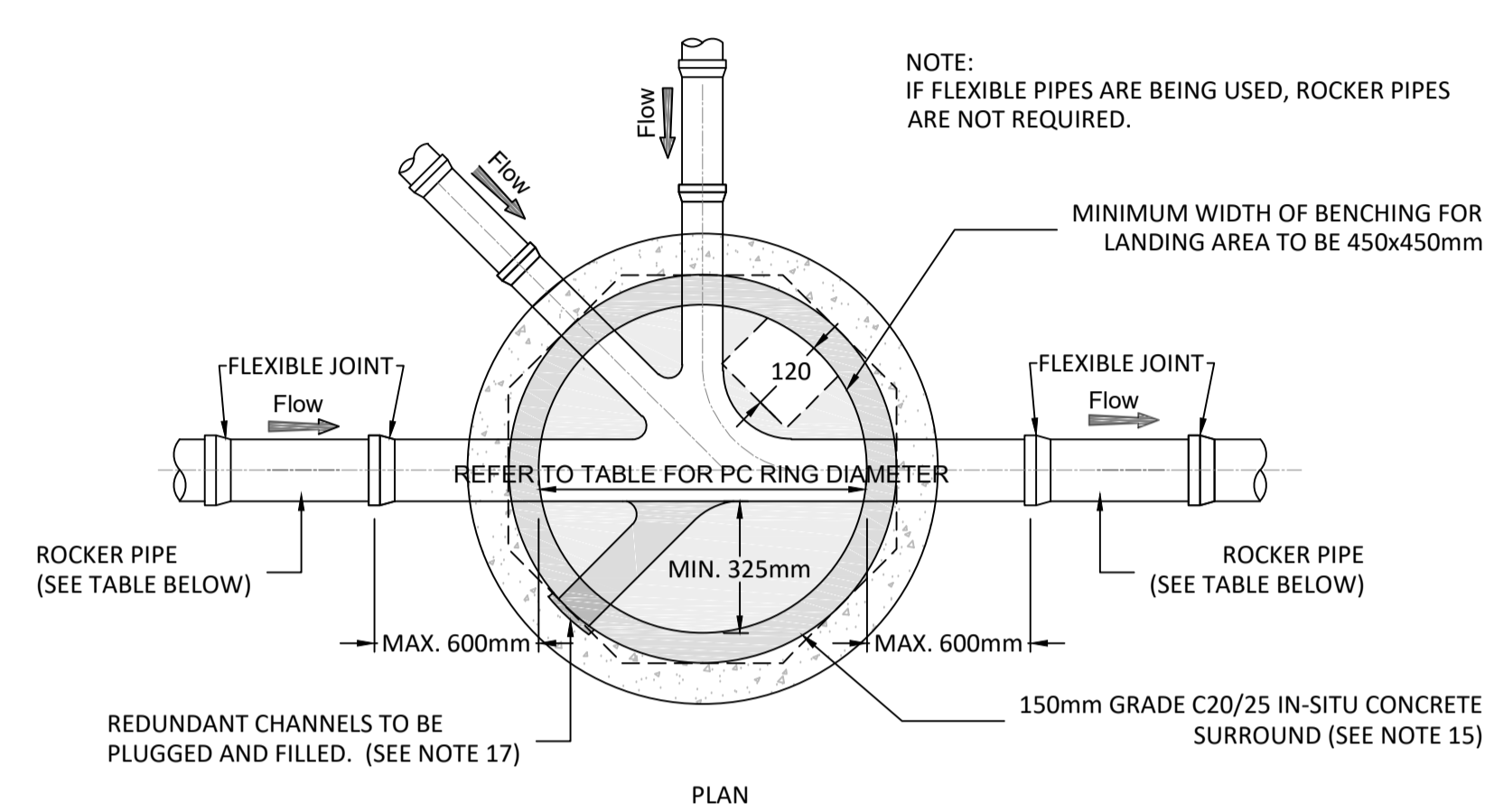
COVER TO BE SET IN CEMENTITIOUS EPOXY RESIN/POLYESTER MORTAR 30N/mm²

MANHOLE COVER AND FRAME SHALL COMPLY TO IS EN 124 AND BS 7903 (ALL CLASS D400 COVERS SHALL HAVE MIN. FRAME DEPTH 100-150mm) MIN. OPE. 600x600mm or 600mm ϕ .

NOTE: PRECAST CONCRETE MANHOLES SHALL ONLY BE USED WHERE THE WATER TABLE IS LOW. THEY SHALL NOT BE USED WHERE THERE IS A PERCHED WATER TABLE, WHERE THE SEWER IS LOCATED NEXT TO A RIVER, LAKE OR OTHER WATER BODY AND WITHIN AREAS THAT ARE IDENTIFIED BY THE OFFICE OF PUBLIC WORKS CATCHMENT FLOOD RISK ASSESSMENT AND MANAGEMENT (CFRAM) WITH A FLOOD RISK OF 1 IN 10 YEARS.



SECTION A-A



PLAN

NOTES:

- ALL DIMENSIONS ARE IN MILLIMETRES (mm) UNLESS NOTED OTHERWISE.
- PRE-CAST MANHOLES UNITS: COMPLYING WITH REQUIREMENTS OF IS EN 1917 AND IS 420.
- PRE-CAST CONCRETE BASE INCORPORATING CHANNELS, BENCHING ETC. SUBJECT TO IRISH WATER REVIEW AND COMPLYING WITH IS EN 1917 & IS 420.
- IN SITUATIONS WHERE P.C.C. MANHOLE BASES HAVE REDUNDANT CHANNELS, THESE SHALL BE PLUGGED AND FILLED BY SCABBLING, AND INFILLED WITH GRADE C20/25 CONCRETE TO MATCH EXISTING BASE AND BENCHED TO SUIT FLOW WITHIN THE MANHOLE BASE..
- MANHOLES GREATER THAN 3m IN DEPTH WILL REQUIRE A DETAILED STRUCTURAL DESIGN AND BE SUBJECT TO IRISH WATER REVIEW.
- PRE-CAST CONCRETE ROOF SLABS TO BE USED SUBJECT TO IRISH WATER REVIEW AND COMPLIANCE WITH IS 420.
- COVERS AND FRAMES SHALL BE SUITABLE FOR ROAD AND TRAFFIC CONDITIONS SUBJECT TO REVIEW BY IRISH WATER.
- 200mm ALL AROUND x 100mm DEEP, C20/25 CONCRETE PLINTH COMPLETE WITH BULL NOSE FINISH AND TO BE PROVIDED COMPLETE WITH MILD STEEL REINFORCEMENT LINK AROUND COVERS IN GREEN AREAS..
- ALL CHAMBERS TO BE CHECKED FOR UPLIFT BY THE DEVELOPER BASED ON GROUND CONDITIONS WITHIN THE SITE. SHOULD ANTI FLOATATION MEASURES BE REQUIRED THEY SHALL BE SUBJECT TO REVIEW BY IRISH WATER.
- ALL CONCRETE TO BE IN ACCORDANCE WITH IS EN 206 : 2013.
- ANY SPECIAL ROAD REINSTATEMENT AROUND COVER & FRAME SHALL BE TO ROAD AUTHORITY'S REQUIREMENTS.
- NEW ROAD CONSTRUCTION & SURFACE FINISH TO BE TO ROAD AUTHORITY REQUIREMENTS.
- EXISTING ROAD REINSTATEMENT TO COMPLY WITH CURRENT VERSION OF "GUIDELINES FOR MANAGING OPENINGS IN PUBLIC ROADS" BY THE DEPT. OF TRANSPORT, TOURISM & SPORT, OR TRANSPORT INFRASTRUCTURE IRELAND REQUIREMENTS.
- IF DEPTH FROM GROUND TO PIPE SOFFIT IS GREATER THAN 6m DEEP, A SITE SPECIFIC ENGINEERED SOLUTION FOR ACCESS SHALL BE PROVIDED.
- PROPRIETARY WATERTIGHT PCC MANHOLE RING SYSTEMS WITH A WALL THICKNESS > 125mm, & A WATER TIGHT JOINT SEALING SYSTEM, MAY BE USED WITHOUT CONCRETE SURROUND, SUBJECT TO THE GROUND WATER LEVEL AT THE MANHOLE BEING LOW, & SUBJECT TO REVIEW BY IRISH WATER.
- THE INTERNAL MANHOLE DIAMETERS SHOWN IN THE TABLE BELOW ARE MINIMUM DIMENSIONS AND WILL INCREASE DEPENDING ON THE NUMBER AND DIAMETER OF ADDITIONAL INLETS AND FINISHED WITH A 1:3 SAND/CEMENT FINISH TO SUIT FLOW OF INLETS AND OUTLET.

MINIMUM MANHOLE DIAMETERS			
DIAMETER OF LARGEST PIPE IN MANHOLE (mm)	INTERNAL DIAMETER OF MANHOLE (mm)	MIN. PRECAST ROOF SLAB EFFECTIVE THICKNESS (mm)	MIN. IN-SITU ROOF SLAB THICKNESS (mm)
LESS THAN 375	1200	160	225
375 TO 450	1350	160	225
500 TO 750 *	1500	170	225

ROCKER PIPE LENGTH	
PIPE DIAMETER (mm)	ROCKER PIPE LENGTH (mm)
150 TO 600	600
GREATER THAN 600 TO 750 *	1000
GREATER THAN 750 *	1250

* SEWERS GREATER THAN 450mm ϕ ARE OUTSIDE THE SCOPE OF THE STANDARD DETAILS. MANHOLE SIZE OF THESE CHAMBERS MAY BE REQUIRED DUE TO MULTIPLE PIPES WITHIN MANHOLE.

PRE-CAST CONCRETE MANHOLE WITH PRE-CAST BASE
(ref. STD-WW-08)

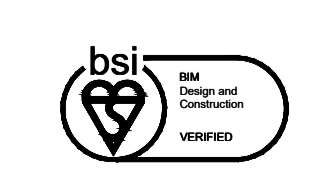
INFORMATION ONLY

THIS DRAWING HAS BEEN ISSUED FOR INFORMATION PURPOSES ONLY AND MUST NOT BE USED FOR CONSTRUCTION UNDER ANY CIRCUMSTANCES

- THIS DRAWING TO BE READ IN CONJUNCTION WITH ALL OTHER RELEVANT DESIGN TEAM DRAWINGS AND SPECIFICATIONS.
- FOR SETTING OUT REFER TO ARCHITECT'S DRAWINGS. DO NOT SCALE THIS DRAWING. USE FIGURED DIMENSIONS ONLY.
- NO PART OF THIS DOCUMENT MAY BE REPRODUCED OR TRANSMITTED IN ANY FORM OR STORED IN ANY RETRIEVAL SYSTEM OF ANY NATURE WITHOUT THE WRITTEN PERMISSION OF O'CONNOR SUTTON CRONIN AS COPYRIGHT HOLDER EXCEPT AS AGREED FOR USE ON THE PROJECT FOR WHICH THE DOCUMENT WAS ORIGINALLY ISSUED.

Rev No.	Date	Revision Note	Drn by	Chkd by
P01	09/08/24	ISSUE FOR INFORMATION	EK	SD

Rev No.	Date	Revision Note	Drn by	Chkd by



OCSC
O'CONNOR SUTTON CRONIN
MULTIDISCIPLINARY CONSULTING ENGINEERS
Civil / Structural / Environmental / Mechanical / Electrical / Sustainability
Dublin Office: 9 Prussia Street, Dublin 7. D07 KT57.
Tel: +353 (0)1 8682000 Web: www.ocsc.ie
Dublin London Belfast Galway Cork Birmingham

Client: LIMERICK COUNTY COUNCIL
Project: 52 NEW ROAD, THOMONDGATE, LIMERICK
Title: TYPICAL DRAINAGE DETAILS SHEET 4

Code	Originator	Zone	Level	Type	Role	Number	Status	Revision
L362	OCSC	XX	XX	DR	C	0563	S2	P01

Date: AUG'24 Scale @ A1:1:20 Drn by: EK Chkd by: SD Aprvd by: SD