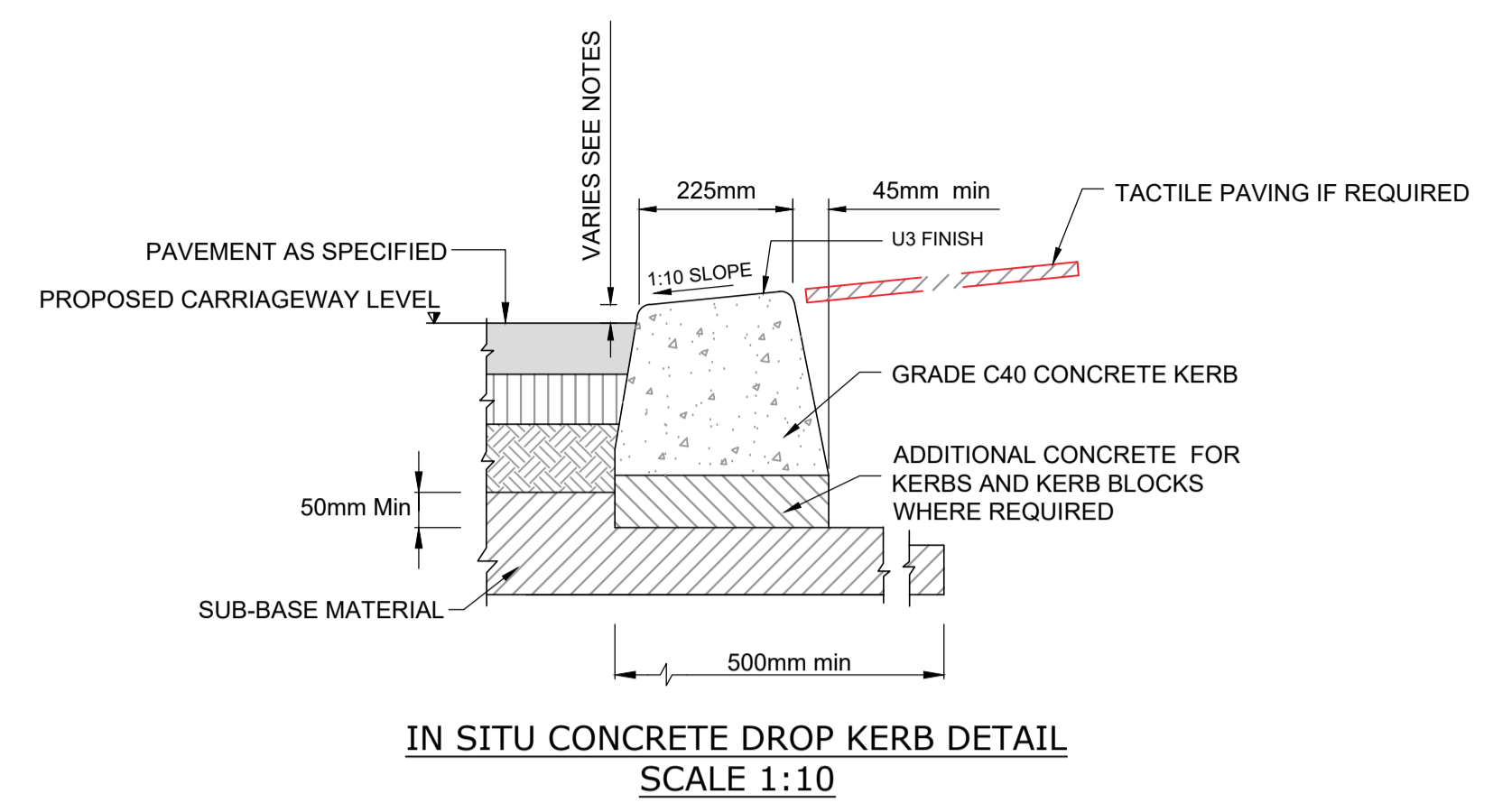


© COPYRIGHT OF THIS DRAWING IS RESERVED BY LEITRIM COUNTY COUNCIL. NO PART SHALL BE REPRODUCED OR TRANSMITTED WITHOUT THEIR WRITTEN PERMISSION.
 NO CHANGES OF WHATSOEVER NATURE ARE TO BE MADE TO ANY DETAILS SET OUT OR CONTAINED IN ANY LEITRIM COUNTY COUNCIL SPECIFICATIONS OR DRAWINGS UNLESS THE EXPRESS CONSENT HAS BEEN OBTAINED IN ADVANCE, IN WRITING, FROM LEITRIM COUNTY COUNCIL.

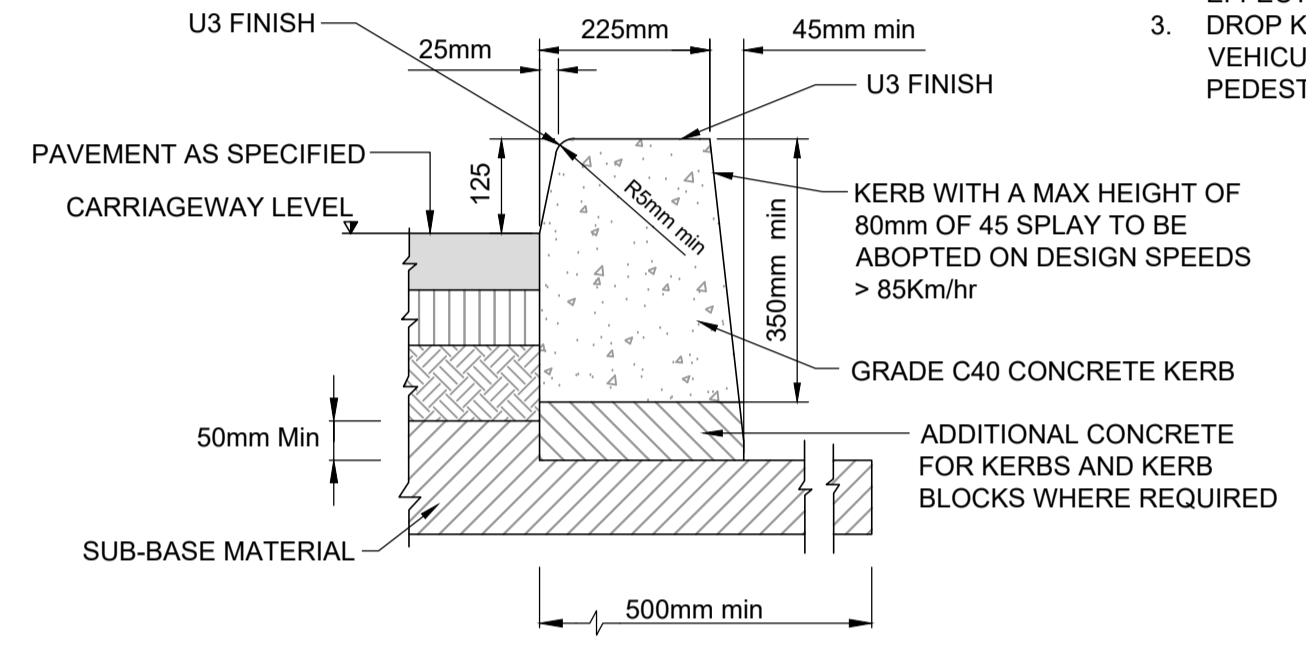
NOTES

- GENERAL NOTES:**
- MAPS ARE PRODUCED UNDER LICENCE FROM ORDNANCE SURVEY IRELAND © NATIONAL MAPPING DIVISION OF TAILTE EIREANN. LICENCE NO: CYAL50349470.
 - THIS DRAWING IS TO BE READ IN CONJUNCTION WITH ALL RELEVANT ENGINEERS', ARCHITECT'S AND SPECIALIST'S DRAWINGS AND THE SPECIFICATION.
 - DO NOT SCALE FROM THIS DRAWING MANUALLY OR ELECTRONICALLY. ALL WORKS SHALL BE CONSTRUCTED IN ACCORDANCE WITH THE WORKS REQUIREMENTS.
 - ALL DIMENSIONS IN METRES UNLESS SPECIFIED OTHERWISE.
 - ALL CO-ORDINATES ARE TO IRISH TRANSVERSE MERCATOR.
 - ALL LEVELS ARE TO ORDNANCE DATUM (MALIN HEAD).
 - THE CONTRACTOR MUST LIAISE DIRECTLY WITH LOCAL AUTHORITY DEPARTMENTS AS DIRECTED IN THE WORKS REQUIREMENTS.
 - ALL VEHICULAR & PEDESTRIAN, CYCLE & PRIVATE ACCESS ROUTES WITHIN AND SURROUNDING THE WORKS EXTENTS MUST BE MAINTAINED THROUGHOUT THE WORKS IN ACCORDANCE WITH THE CONTRACTORS APPROVED TEMPORARY TRAFFIC & OPERATIONS MANAGEMENT PLAN.
- ROADS NOTES:**
- ALL WORKS TO BE CONSTRUCTED IN ACCORDANCE WITH THE TII SPECIFICATION FOR ROAD WORKS UNLESS OVERRIDDEN BY LOCAL OVERSEEING AUTHORITY'S STANDARDS.
 - ALL ROAD MARKINGS & SIGNS SHALL COMPLY FULLY WITH THE TRAFFIC SIGNS MANUAL PUBLISHED BY THE DEPARTMENT OF TRANSPORT.
 - SIGNS & MARKINGS: CONTRACTOR TO CONFIRM PRECISE SETTING OUT WITH EMPLOYERS REPRESENTATIVE PRIOR TO COMPLETION.
 - ALL TRAFFIC MANAGEMENT TO COMPLY FULLY WITH THE PROVISIONS OF CHAPTER 8 OF THE TRAFFIC SIGNS MANUAL.
- SERVICES NOTES:**
- ALL DRAWINGS TO BE CHECKED BY CONTRACTOR ON SITE AND ENGINEER INFORMED OF DISCREPANCIES BEFORE WORK COMMENCES.
 - CONTRACTOR SHALL SATISFY HIMSELF AS TO THE ACCURACY OF PAVEMENT LEVELS ON SITE PRIOR TO COMMENCEMENT OF WORKS ON SITE.

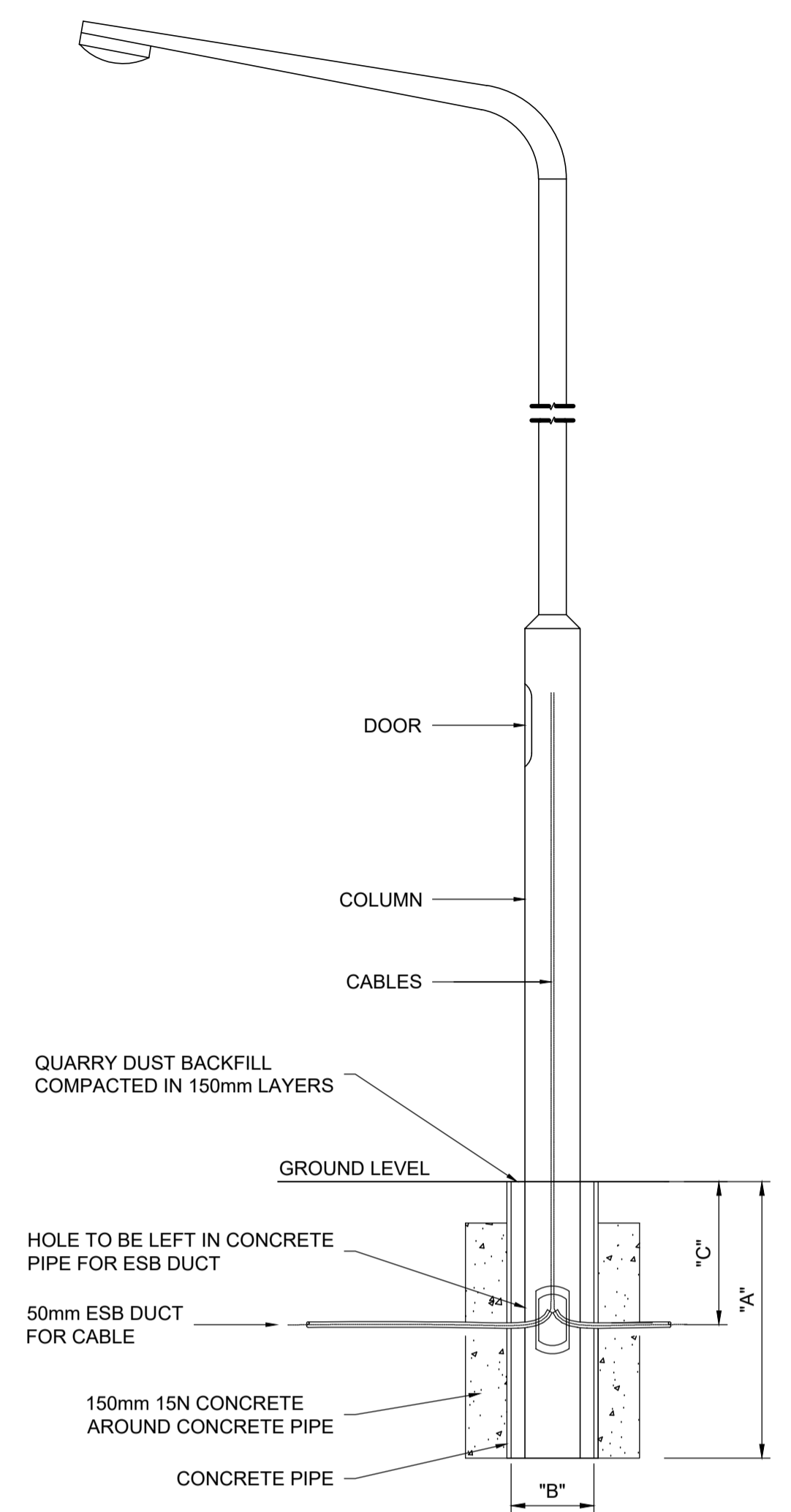


IN SITU CONCRETE DROP KERB DETAIL
SCALE 1:10

- NOTES:**
- IN SITU CONCRETE KERBS SHALL COMPLY WITH THE RECOMMENDATIONS OF B.S. 5931.
 - KERBS SHALL BE PROTECTED FROM THE EFFECTS OF ADVERSE WEATHER UNTIL CURED.
 - DROP KERB HEIGHT VARIES FROM 25mm FOR VEHICULAR ACCESSES AND 0-6mm FOR PEDESTRIAN CROSSING.

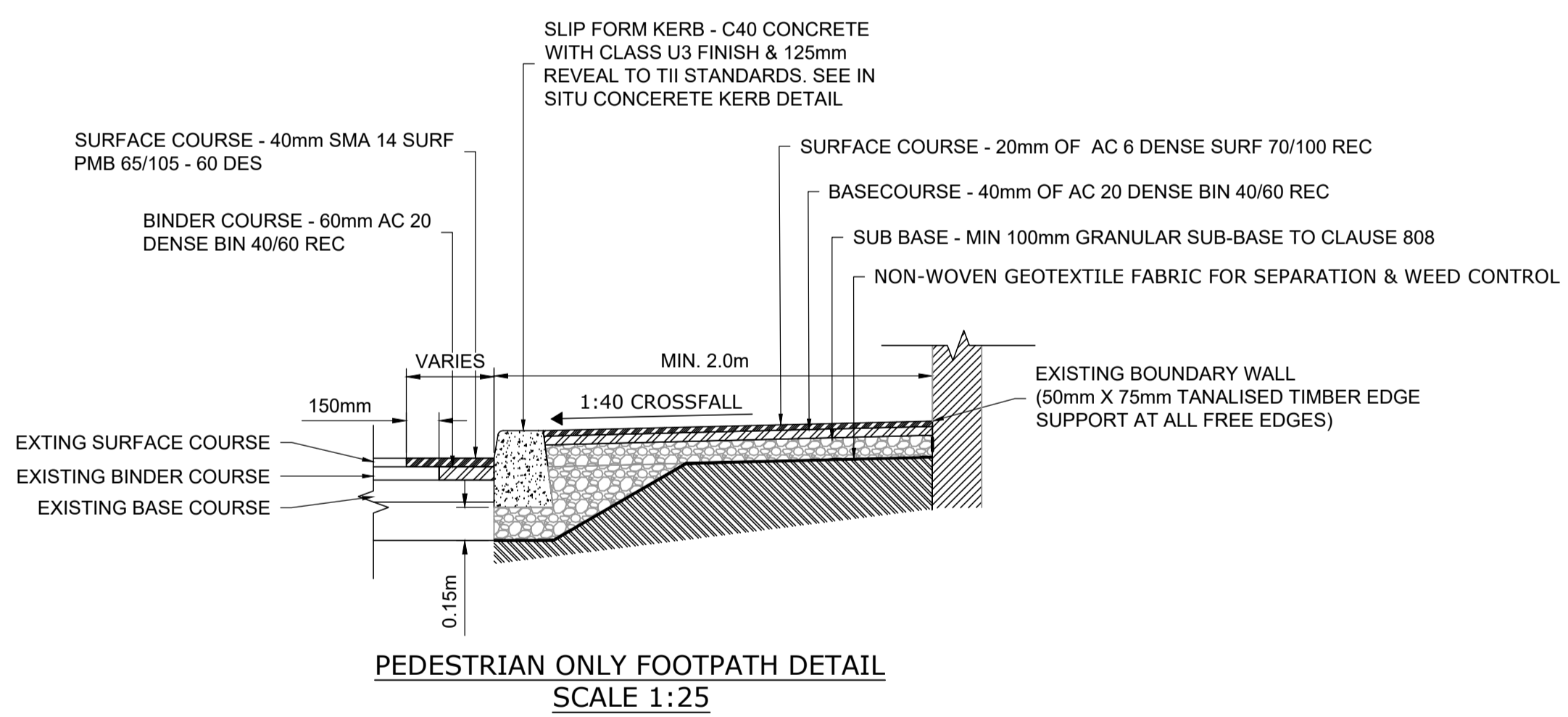


STANDARD IN SITU CONCRETE KERB DETAIL
SCALE 1:10

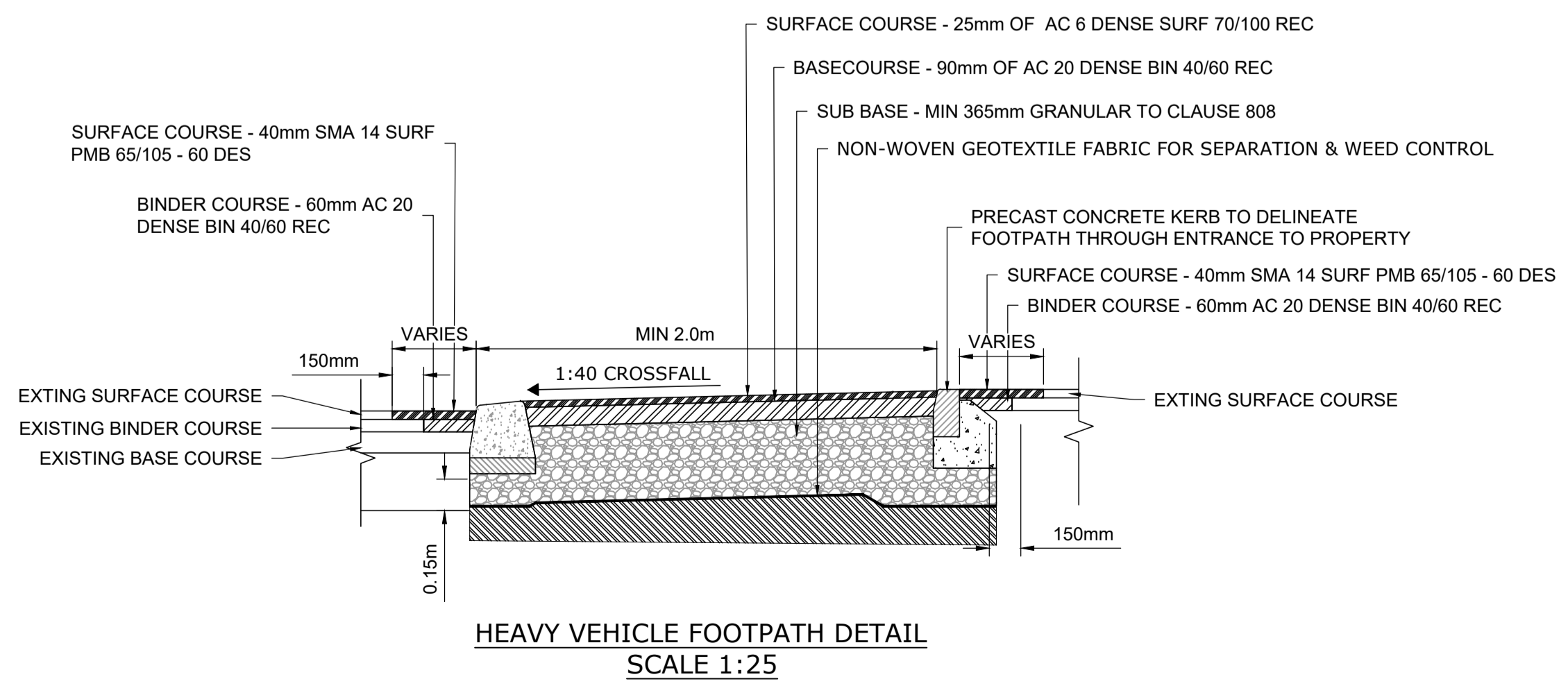


	"A" Depth Of Pipe	"B" Dia. Of Pipe	"C" Depth Of Duct
6m Shaft	1000mm	300mm	500mm
8m Shaft	1500mm	375mm	500mm
10m Shaft	1800mm	400mm	500mm

LIGHTING COLUMN FOUNDATION DETAIL
N.T.S.



PEDESTRIAN ONLY FOOTPATH DETAIL
SCALE 1:25



HEAVY VEHICLE FOOTPATH DETAIL
SCALE 1:25

Issue	Date	Description	Made	Checked
R02	28.06.2024	ISSUED FOR PLANNING	JN	KS
R01	06.06.2024	FIRST ISSUE	JN	ED

Drawing Status: **PLANNING**

LEITRIM COUNTY COUNCIL
 Park Lane House, Priests Lane, Carrick on Shannon Co. Leitrim, N41 RX53
 Tel: 071 9620005
 Website: www.Leitrimcoco.ie

Section: **ROADS DEPARTMENT ACTIVE TRAVEL**

Project: **ACTIVE TRAVEL SCHEME, TULLY HEIGHTS, BALLINAMORE, CO. LEITRIM**

Drawing Title: **CONSTRUCTION DETAILS**

Drawn/Design	JN/JN	Date	06.06.24	Scales	-	@ A1
Checked	ED	Approved	ED			@ A3

Drawing No. **LM-AT-2024-03-SCD-01** Rev **R02**